


# MONTREAL

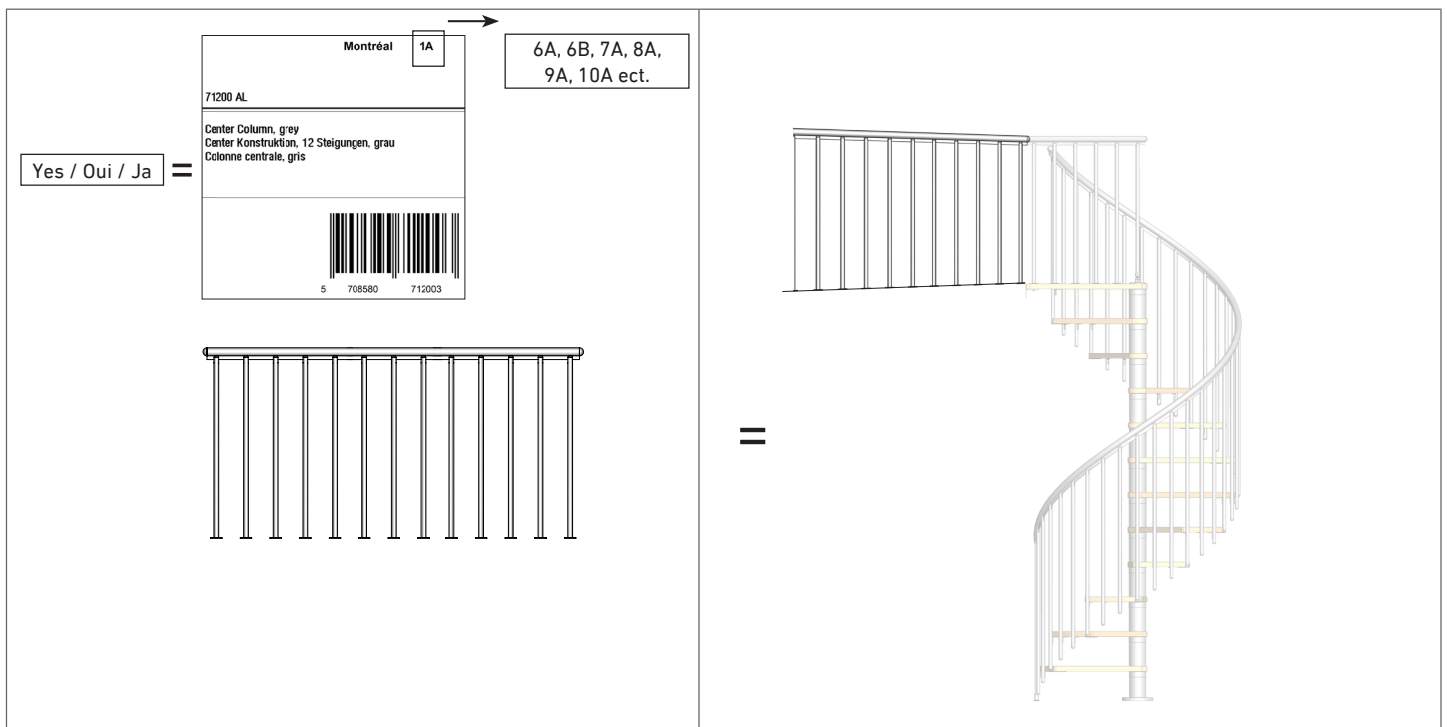
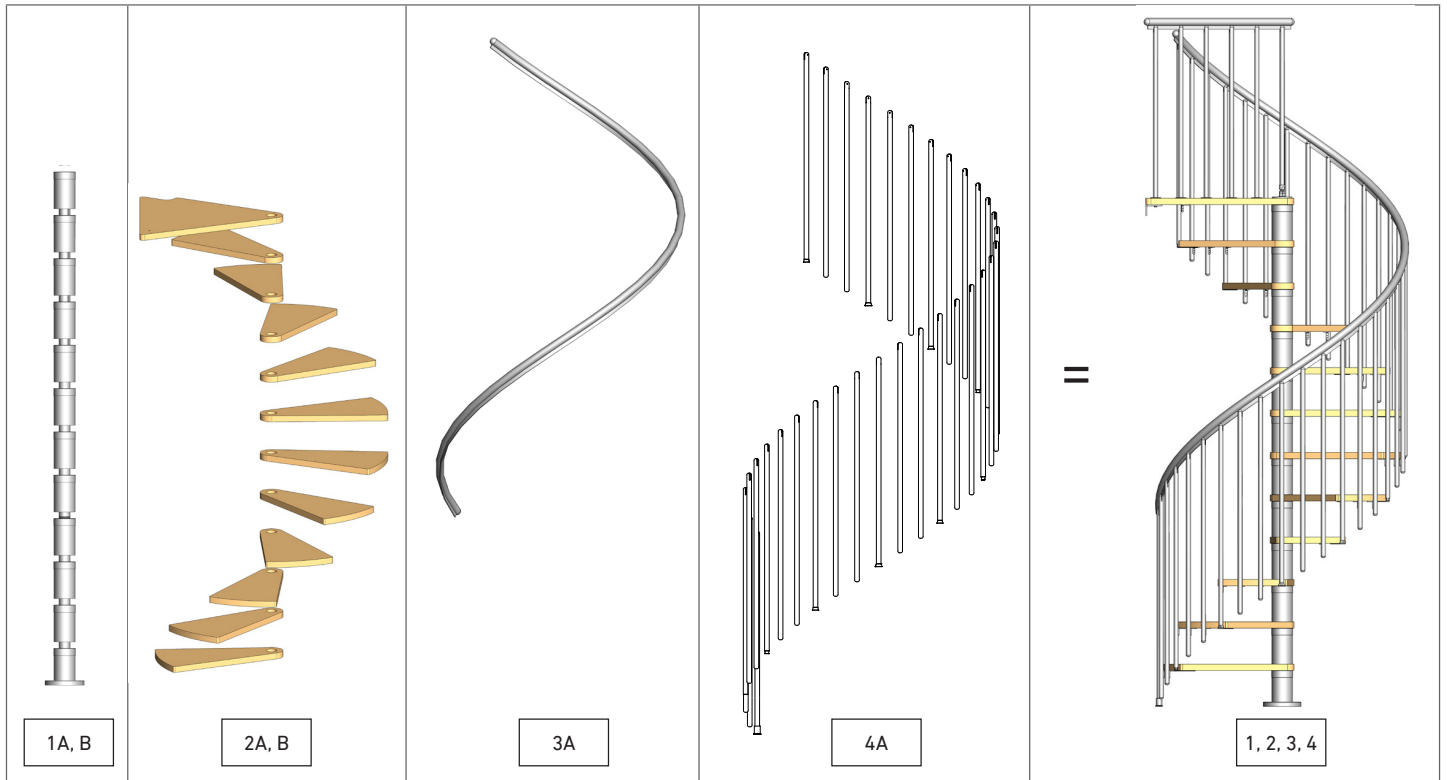
Montréal **1A** → 1A, 1B, 2A, 2B, 3A, 4A ect.

71200 AL

Center Column, grey  
Center Konstruktion, 12 Steigungen, grau  
Colonne centrale, gris



5 708580 712003

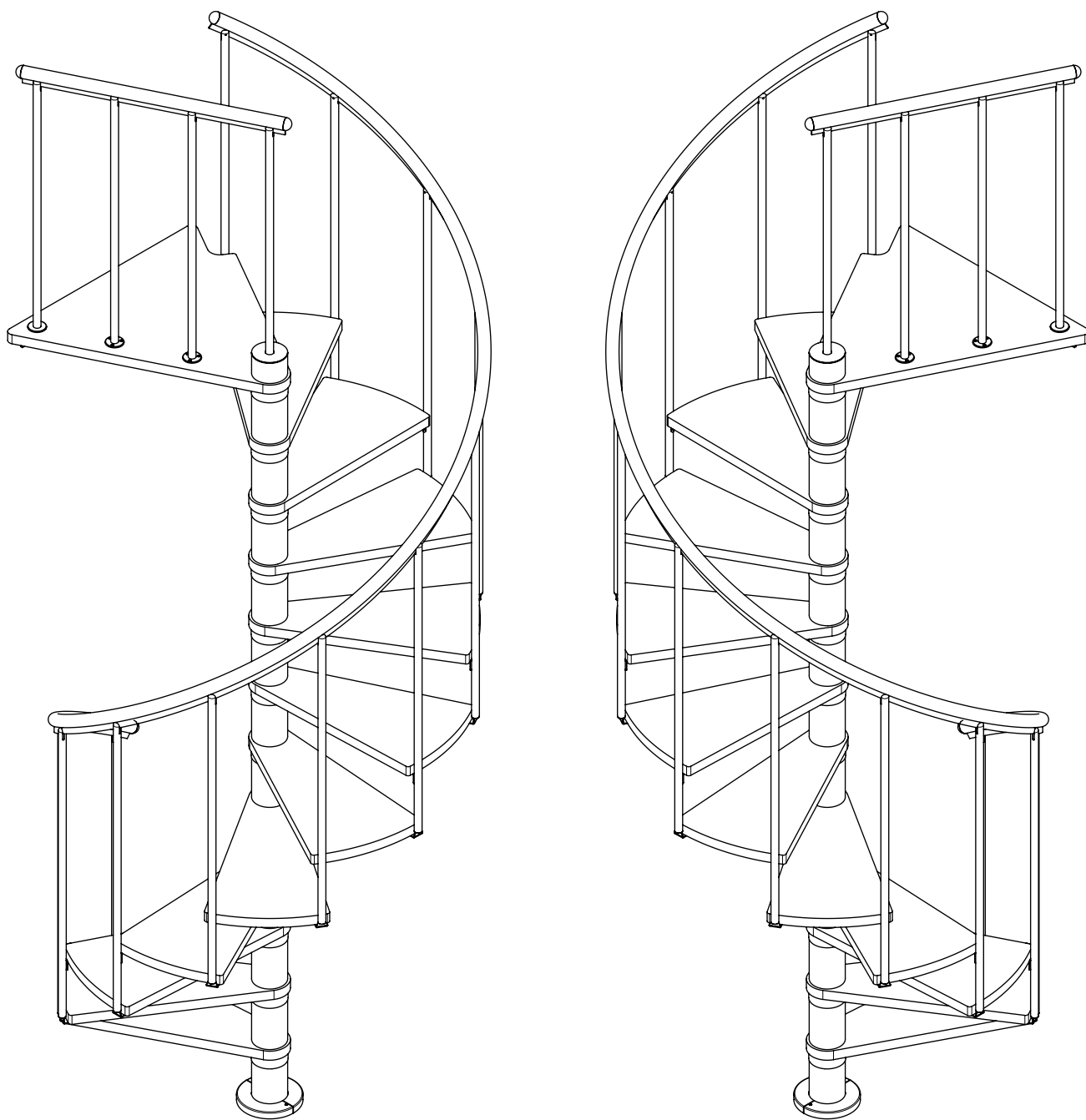


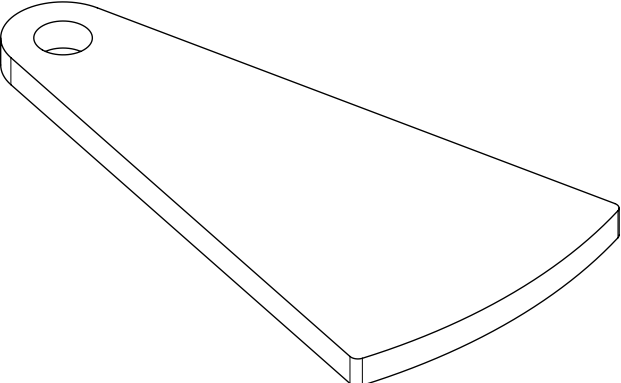

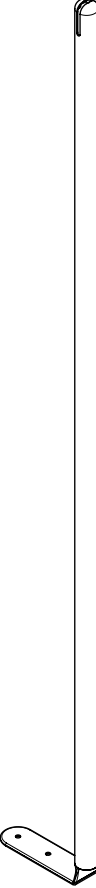

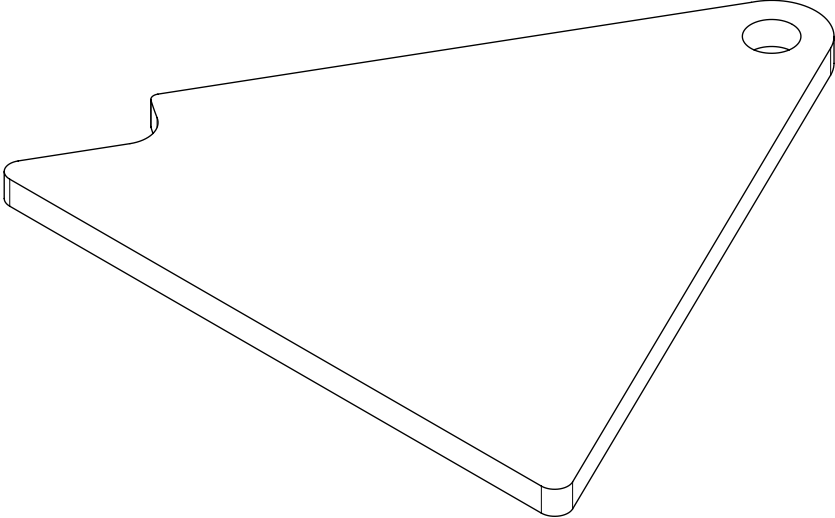
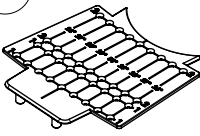


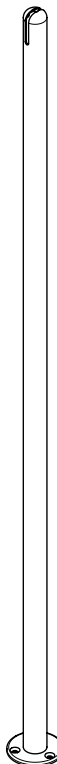

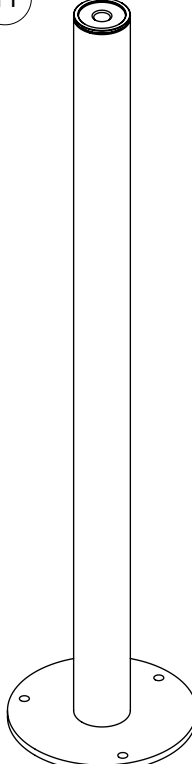


No / Non / Nej =




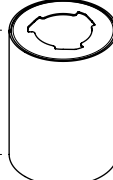
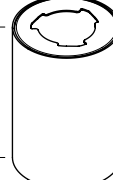
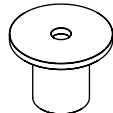
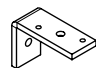
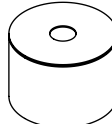
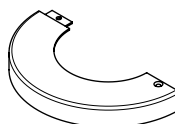


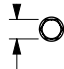
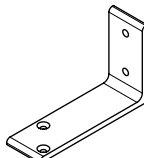
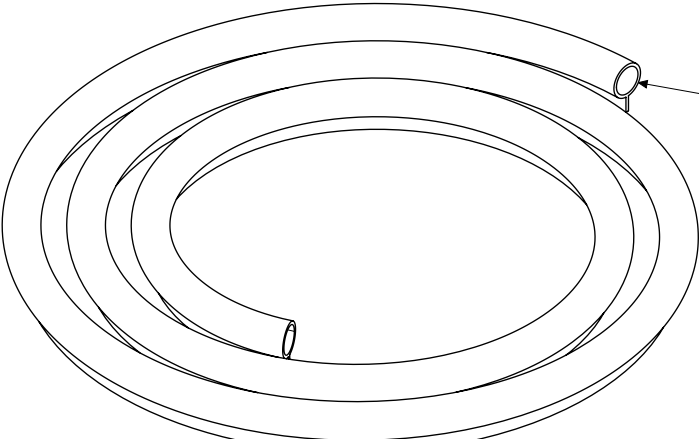

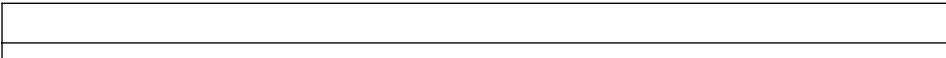

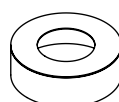
# MONTREAL

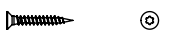
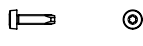
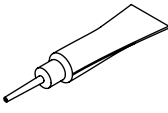




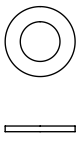








## Classic 2




<p>1</p> 	<p>3</p>  <p>K1-71231 RAL 9006 K1-71431 RAL 7016 K1-71631 RAL 9016</p>	<p>5</p> 	<p>6</p>  <p>K1-71220 RAL 9006 K1-71420 RAL 7016 K1-71620 RAL 9016</p>		
<p>2</p> 		<p>4</p>  <p>K1-71030</p>	<p>7</p>  <p>K1-71230 RAL 9006 K1-71430 RAL 7016 K1-71630 RAL 9016</p> <p>K1-32224 RAL 9006 K1-71421 RAL 7016 K1-32424 RAL 9016</p>		
<p>8</p>  <p>K2-71260 RAL 9006 K2-71460 RAL 7016 K2-71660 RAL 9016</p>	<p>9</p>  <p>K2-71250 RAL 9006 K2-71450 RAL 7016 K2-71650 RAL 9016</p>	<p>10</p>  <p>K2-71240 RAL 9006 K2-71440 RAL 7016 K2-71640 RAL 9016</p>	<p>11</p>  <p>K2-71010</p>	<p>12</p>  <p>K2-71012</p>	<p>13</p>  <p>K1-71000</p>



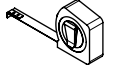
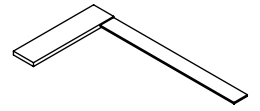
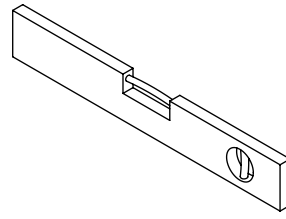
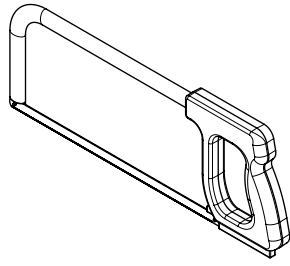
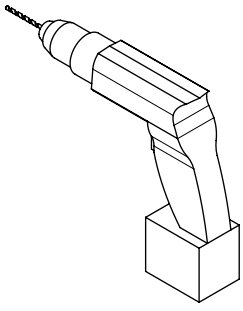
<p>14</p>  <p>K3-07023 M20 x 1170</p>	<p>15</p>  <p>161mm</p> <p>K2-71210 RAL 9006 K2-71410 RAL 7016 K2-71610 RAL 9016</p>	<p>16</p>  <p>169mm</p> <p>K2-71211 RAL 9006 K2-71411 RAL 7016 K2-71611 RAL 9016</p>	<p>17</p>  <p>K2-71005</p>	<p>18</p>  <p>K1-71201 RAL 9006 K1-71401 RAL 7016 K1-71601 RAL 9016</p>	<p>19</p>  <p>K2-71215 RAL 9006 K2-71415 RAL 7016 K2-71615 RAL 9016</p>
<p>20</p>  <p>K2-71200 RAL 9006 K2-71400 RAL 7016 K2-71600 RAL 9016</p>	<p>21</p>  <p>∅42mm</p> <p>K1-71290 RAL 9006 K1-39010 RAL 7016 K1-29486 RAL 9016</p>	<p>22</p>  <p>∅42mm</p> <p>K1-39000</p>	<p>23</p>  <p>13mm</p> <p>K1-01013 RAL 9006 K1-01023 RAL 7016 K1-01003 RAL 9016</p>	<p>24</p>  <p>K1-19310 RAL 9006 K1-71402 RAL 7016 K1-71602 RAL 9016</p>	<p>25</p>  <p>∅42mm</p> <p>K1-71295 5 m - RAL 9006 K1-71297 7 m - RAL 9006 K1-71495 5 m - RAL 7016 K1-71497 7 m - RAL 7016 K1-71695 5 m - RAL 9016 K1-71697 7 m - RAL 9016</p>
<p>26</p>  <p>∅42mm</p>  <p>K1-71291 1,00 m - RAL 9006 K1-71299 1,15 m - RAL 9006 K1-39110 1,00 m - RAL 7016 K1-71499 1,15 m - RAL 7016 K1-29410 1,00 m - RAL 9016 K1-71699 1,15 m - RAL 9016</p>	<p>27</p>  <p>K1-71205 RAL 9006 K1-71405 RAL 7016 K1-71605 RAL 9016</p>	<p>30</p>  <p>K1-71219 RAL 9006 K1-71419 RAL 7016 K1-71619 RAL 9016</p>			

<p>50</p>  <p>K3-06022 RAL 9006 K3-10226 RAL 7016 K3-10126 RAL 9016 Ø5 x 35</p>	<p>51</p>  <p>K3-06199 RAL 9006 K3-10239 RAL 7016 K3-10139 RAL 9016 M5 x 20</p>	<p>52</p>  <p>K3-90001</p>	<p>53</p>  <p>K3-04028 Ø8,4</p>	<p>54</p>  <p>K3-08004 Ø10 x 60</p>	<p>55</p>  <p>K3-06015 M8 x 70</p>
<p>56</p>  <p>K3-03024 M20</p>	<p>57</p>  <p>K3-04020 Ø20</p>	<p>58</p>  <p>K3-08002 Ø8 x 40</p>	<p>59</p>  <p>K3-02131 RAL 9006 K3-10231 RAL 7016 K3-10131 RAL 9016 M4 x 10</p>	<p>60</p>  <p>K3-05013 RAL 9006 K3-10233 RAL 7016 K3-10133 RAL 9016 M6 x 6</p>	<p>61</p>  <p>K3-05011 RAL 9006 K3-10230 RAL 7016 K3-10130 RAL 9016 M5 x 20</p>
<p>62</p>  <p>K3-02081 M8 x 70</p>	<p>63</p>  <p>R1-96710 M20</p>	<p>69</p>  <p>R1-63272 Ø6 x 25</p>	<p>71</p>  <p>K3-06016 Ø6 x 40</p>		

40 **OPTION**



71091-AL



Torx 25



2,5

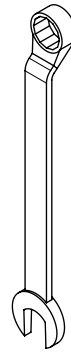


3



4

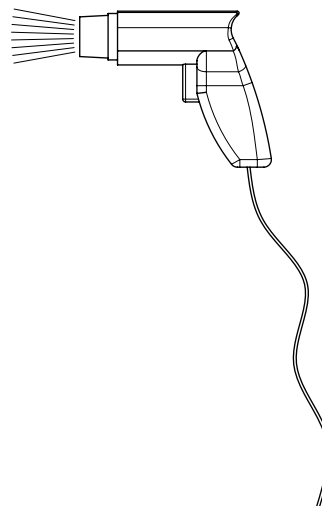
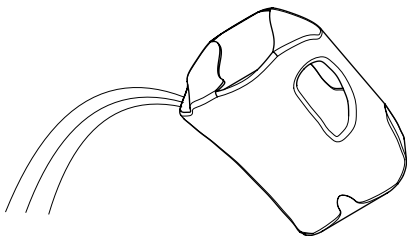
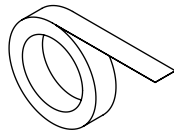
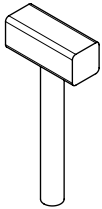
x 2

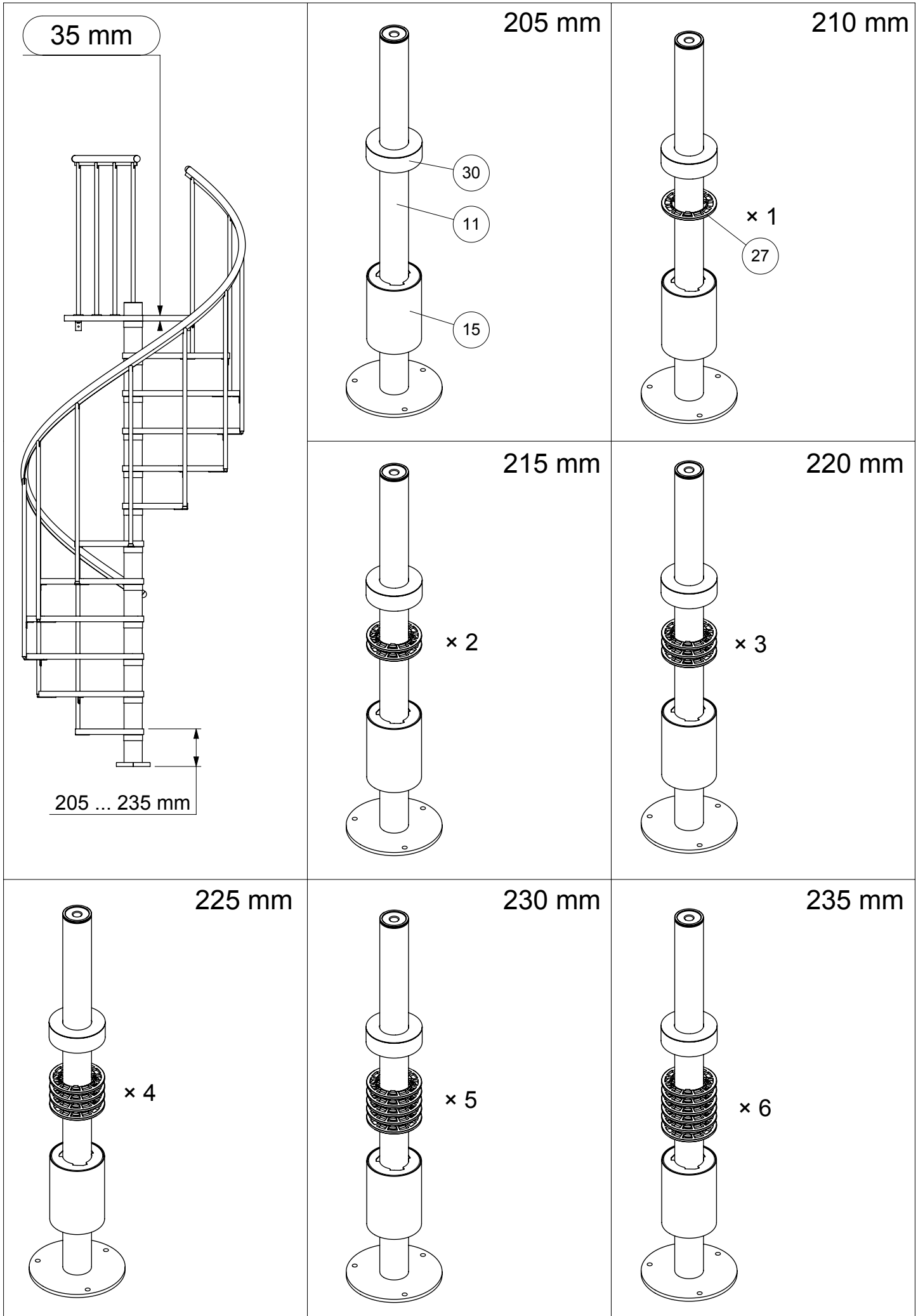


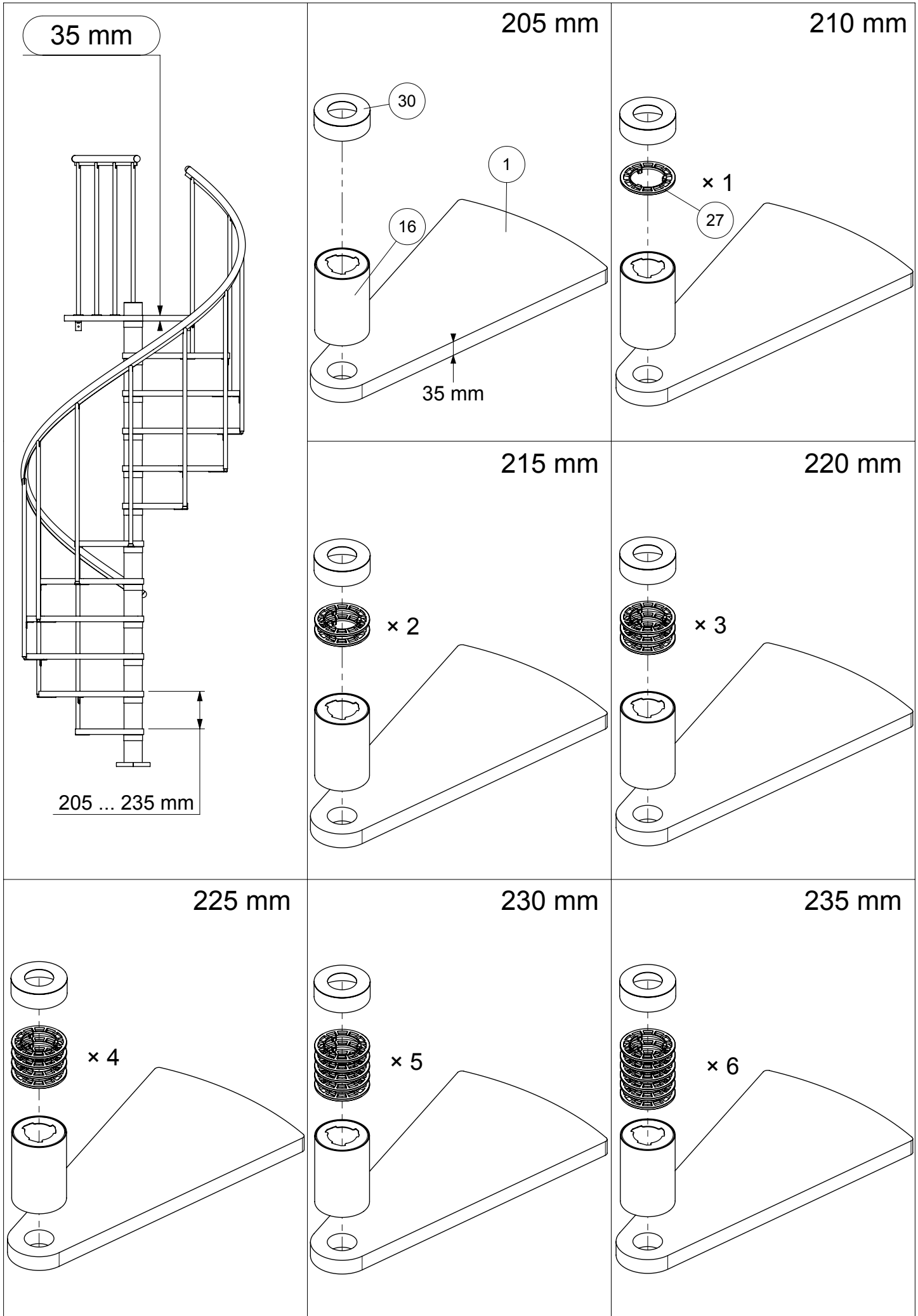
30



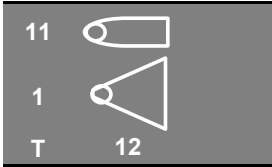
13



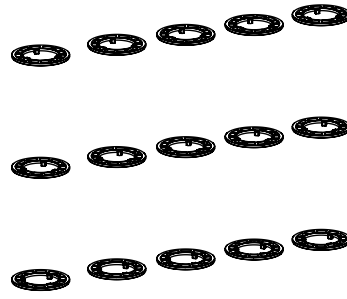




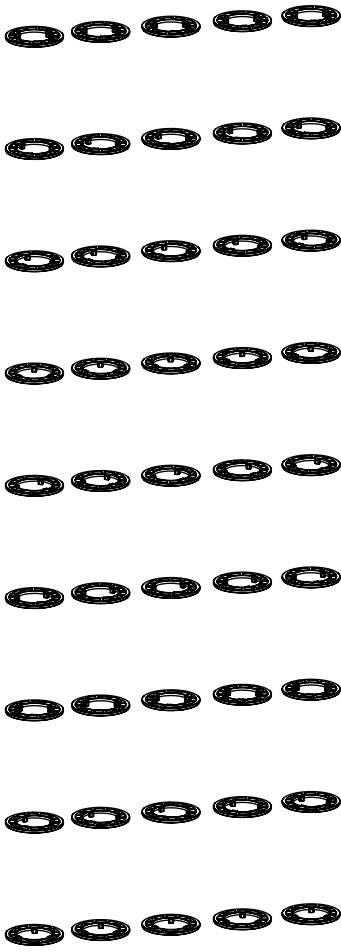
35 mm



N  
0 ... 6 st (pcs)



N  
0 ... 6 st (pcs)



N x T

5 st (pcs) x 12  
= 60 st (pcs)

P  
+1  
st (pcs)



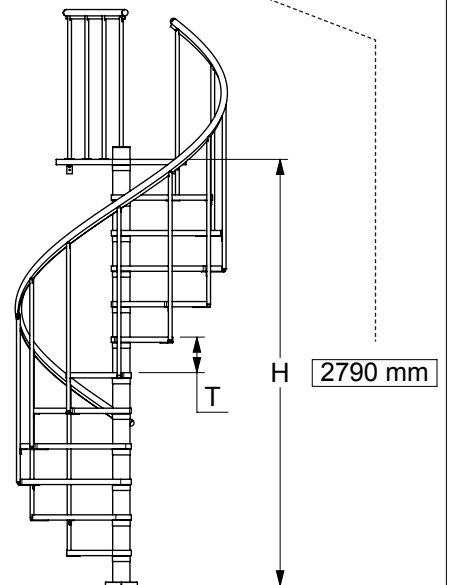
P

+6 st (pcs)

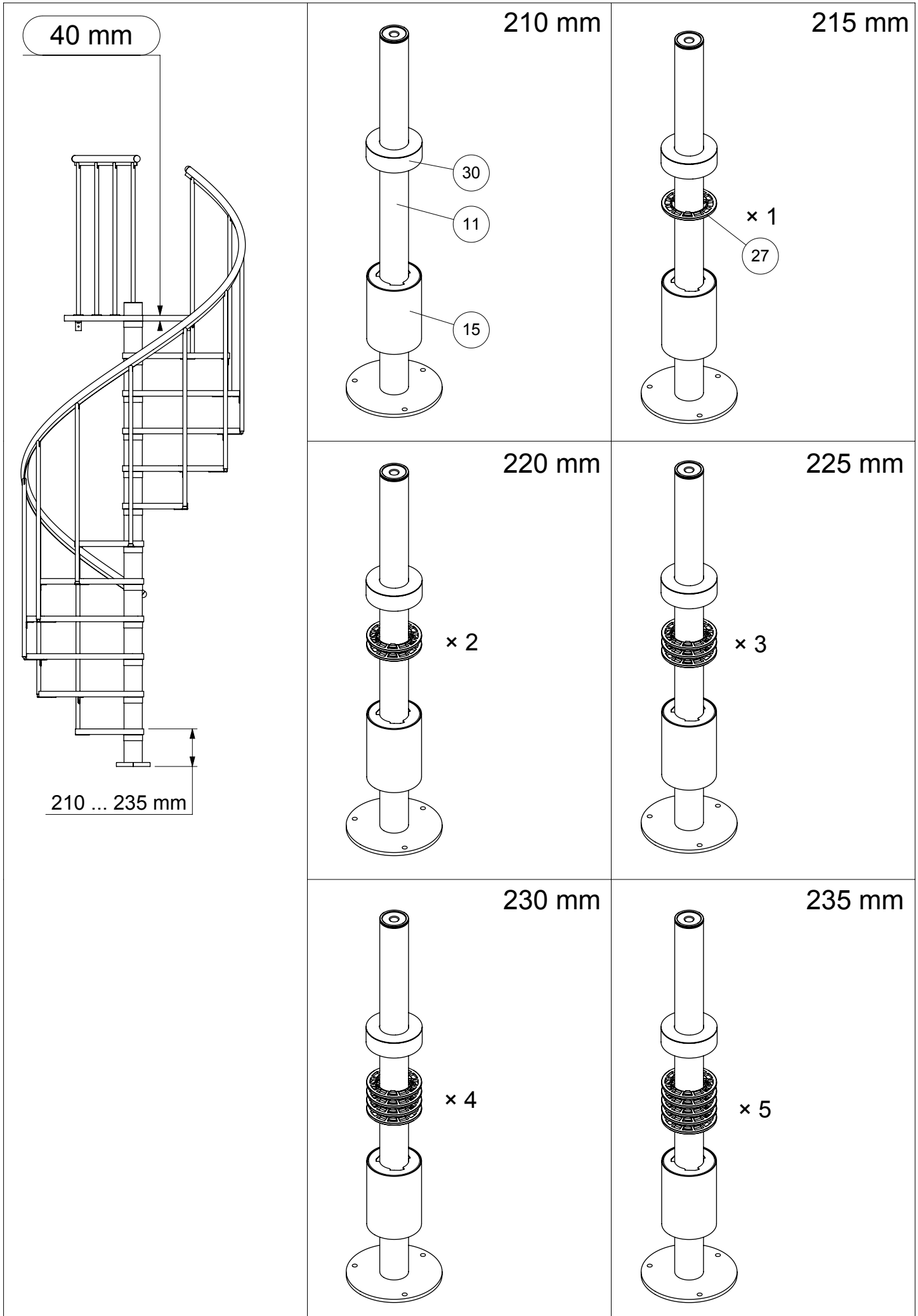
35 mm

2780	5	4
2785	5	5
2790	5	6
2795	5	7
2800	5	8
2805	5	9
2810	5	10
2815	5	11

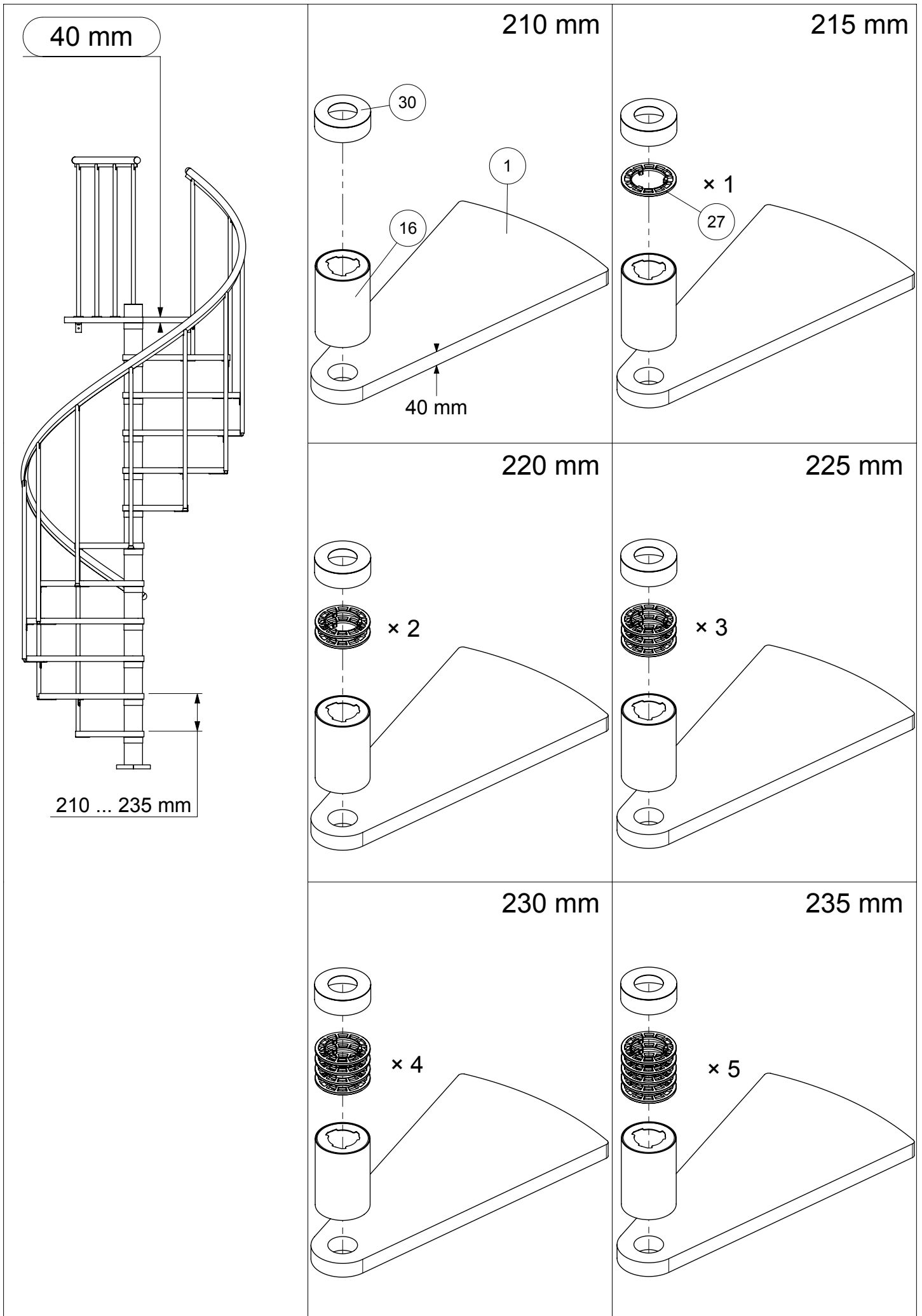
2780	5	4
2785	5	5
2790	5	6
2795	5	7
2800	5	8
2805	5	9
2810	5	10
2815	5	11



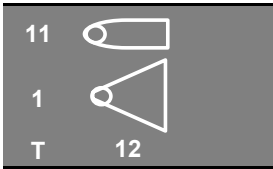




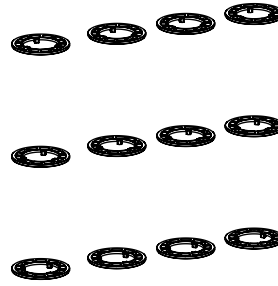




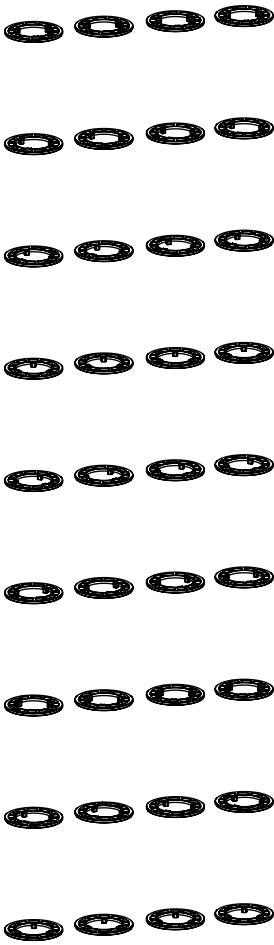
40 mm



N  
0 ... 5 st (pcs)



N  
0 ... 5 st (pcs)



N x T

4 st (pcs) x 12  
= 48 st (pcs)

P  
+1  
st (pcs)



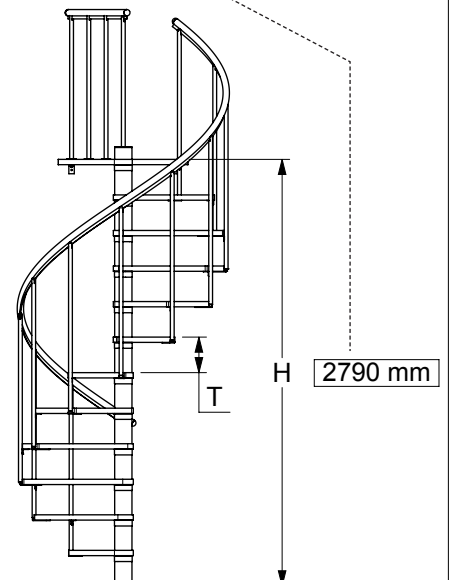
P

+ 6 st (pcs)

40 mm

2780	4	4
2785	4	5
2790	4	6
2795	4	7
2800	4	8
2805	4	9
2810	4	10
2815	4	11

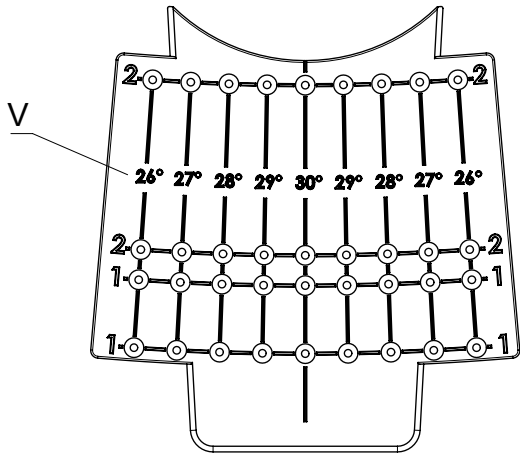
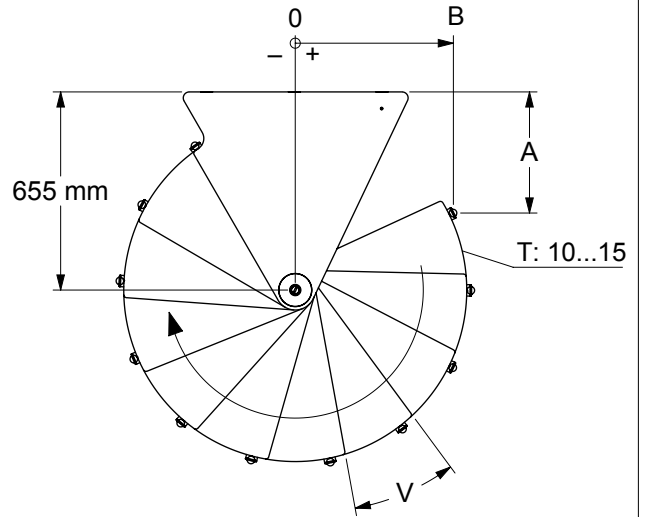
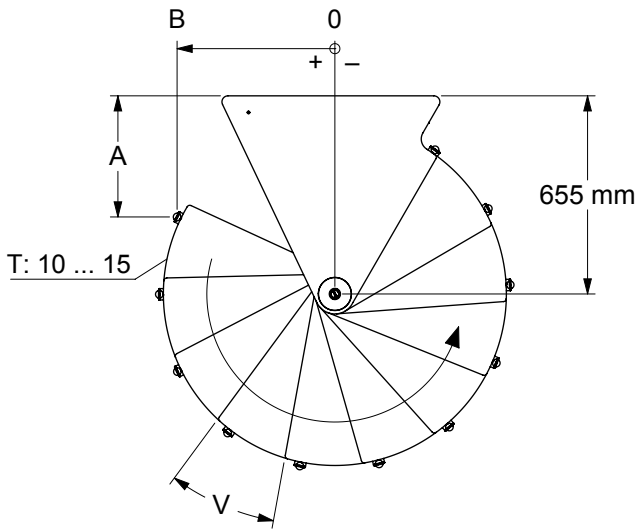
2780	4	4
2785	4	5
2790	4	6
2795	4	7
2800	4	8
2805	4	9
2810	4	10
2815	4	11



# 40 mm

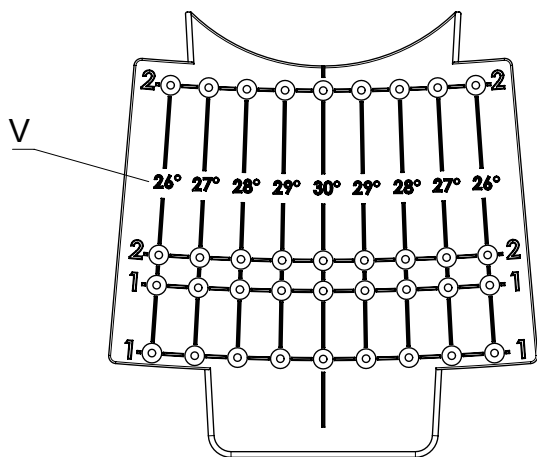
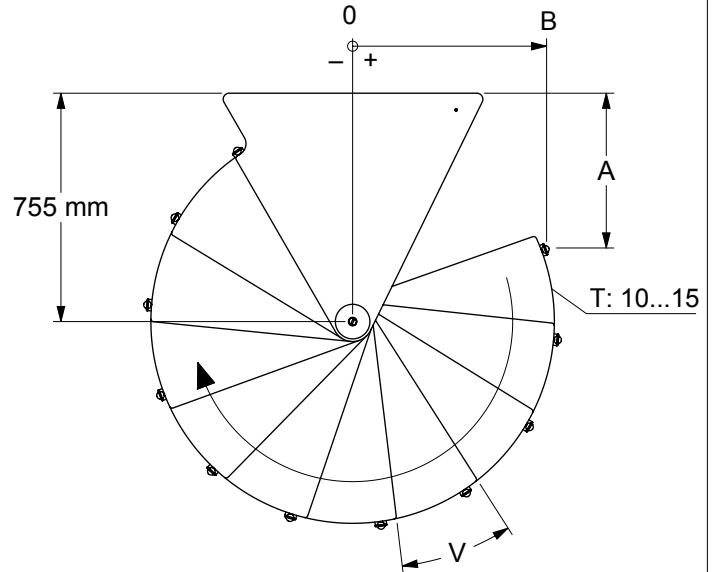
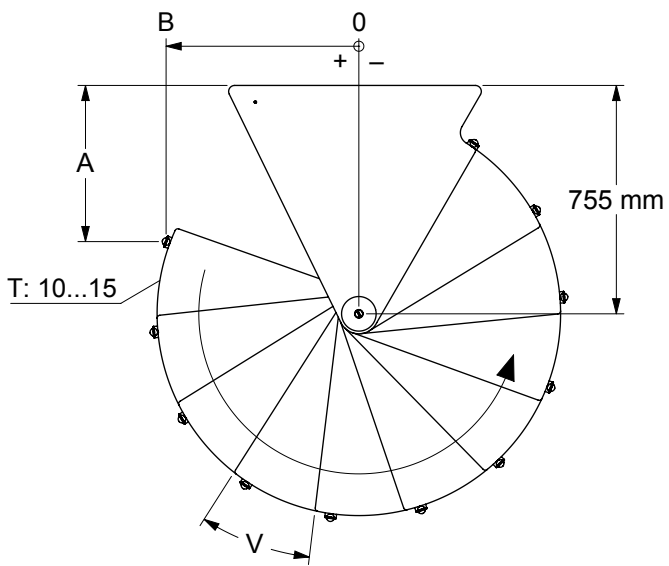
9			10			11			12			13			14																				
1			1			1			1			1			1																				
T 10			T 11			T 12			T 13			T 14			T 15																				
H	N	P	H	N	P	H	N	P	H	N	P	H	N	P	H	N	P	H	N	P	H	N	P	H	N	P									
mm	pcs	pcs	mm	pcs	pcs	mm	pcs	pcs	mm	pcs	pcs	mm	pcs	pcs	mm	pcs	pcs	mm	pcs	pcs	mm	pcs	pcs	mm	pcs	pcs	mm	pcs	pcs						
2100	0	0	2255	3	1	2310	0	0	2480	3	1	2520	0	0	2705	3	1	2730	0	0	2930	3	1	2940	0	0	3155	3	1	3150	0	0	3380	3	1
2105	0	1	2260	3	2	2315	0	1	2485	3	2	2525	0	1	2710	3	2	2735	0	1	2935	3	2	2945	0	1	3160	3	2	3155	0	1	3385	3	2
2110	0	2	2265	3	3	2320	0	2	2490	3	3	2530	0	2	2715	3	3	2740	0	2	2940	3	3	2950	0	2	3165	3	3	3160	0	2	3390	3	3
2115	0	3	2270	3	4	2325	0	3	2495	3	4	2535	0	3	2720	3	4	2745	0	3	2945	3	4	2955	0	3	3170	3	4	3165	0	3	3395	3	4
2120	0	4	2275	3	5	2330	0	4	2500	3	5	2540	0	4	2725	3	5	2750	0	4	2950	3	5	2960	0	4	3175	3	5	3170	0	4	3400	3	5
2125	0	5	2280	3	6	2335	0	5	2505	3	6	2545	0	5	2730	3	6	2755	0	5	2955	3	6	2965	0	5	3180	3	6	3175	0	5	3405	3	6
2130	0	6	2285	3	7	2340	0	6	2510	3	7	2550	0	6	2735	3	7	2760	0	6	2960	3	7	2970	0	6	3185	3	7	3180	0	6	3410	3	7
2135	0	7	2290	3	8	2345	0	7	2515	3	8	2555	0	7	2740	3	8	2765	0	7	2965	3	8	2975	0	7	3190	3	8	3185	0	7	3415	3	8
2140	0	8	2295	3	9	2350	0	8	2520	3	9	2560	0	8	2745	3	9	2770	0	8	2970	3	9	2980	0	8	3195	3	9	3190	0	8	3420	3	9
2145	0	9	2300	4	0	2355	0	9	2525	3	10	2565	0	9	2750	3	10	2775	0	9	2975	3	10	2985	0	9	3200	3	10	3195	0	9	3425	3	10
2150	1	0	2305	4	1	2360	0	10	2530	4	0	2570	0	10	2755	3	11	2780	0	10	2980	3	11	2990	0	10	3205	3	11	3200	0	10	3430	3	11
2155	1	1	2310	4	2	2365	1	0	2535	4	1	2575	0	11	2760	4	0	2785	0	11	2985	3	12	2995	0	11	3210	3	12	3205	0	11	3435	3	12
2160	1	2	2315	4	3	2370	1	1	2540	4	2	2580	1	0	2765	4	1	2790	0	12	2990	4	0	3000	0	12	3215	3	13	3210	0	12	3440	3	13
2165	1	3	2320	4	4	2375	1	2	2545	4	3	2585	1	1	2770	4	2	2795	1	0	2995	4	1	3005	0	13	3220	4	0	3215	0	13	3445	3	14
2170	1	4	2325	4	5	2380	1	3	2550	4	4	2590	1	2	2775	4	3	2800	1	1	3000	4	2	3010	1	0	3225	4	1	3220	0	14	3450	4	0
2175	1	5	2330	4	6	2385	1	4	2555	4	5	2595	1	3	2780	4	4	2805	1	2	3005	4	3	3015	1	1	3230	4	2	3225	1	0	3455	4	1
2180	1	6	2335	4	7	2390	1	5	2560	4	6	2600	1	4	2785	4	5	2810	1	3	3010	4	4	3020	1	2	3235	4	3	3230	1	1	3460	4	2
2185	1	7	2340	4	8	2395	1	6	2565	4	7	2605	1	5	2790	4	6	2815	1	4	3015	4	5	3025	1	3	3240	4	4	3235	1	2	3465	4	3
2190	1	8	2345	4	9	2400	1	7	2570	4	8	2610	1	6	2795	4	7	2820	1	5	3020	4	6	3030	1	4	3245	4	5	3240	1	3	3470	4	4
2195	1	9	2350	5	0	2405	1	8	2575	4	9	2615	1	7	2800	4	8	2825	1	6	3025	4	7	3035	1	5	3250	4	6	3245	1	4	3475	4	5
2200	2	0				2410	1	9	2580	4	10	2620	1	8	2805	4	9	2830	1	7	3030	4	8	3040	1	6	3255	4	7	3250	1	5	3480	4	6
2205	2	1				2415	1	10	2585	5	0	2625	1	9	2810	4	10	2835	1	8	3035	4	9	3045	1	7	3260	4	8	3255	1	6	3485	4	7
2210	2	2				2420	2	0				2630	1	10	2815	4	11	2840	1	9	3040	4	10	3050	1	8	3265	4	9	3260	1	7	3490	4	8
2215	2	3				2425	2	1				2635	1	11	2820	5	0	2845	1	10	3045	4	11	3055	1	9	3270	4	10	3265	1	8	3495	4	9
2220	2	4				2430	2	2				2640	2	0				2850	1	11	3050	4	12	3060	1	10	3275	4	11	3270	1	9	3500	4	10
2225	2	5				2435	2	3				2645	2	1				2855	1	12	3055	5	0	3065	1	11	3280	4	12	3275	1	10	3505	4	11
2230	2	6				2440	2	4				2650	2	2				2860	2	0				3070	1	12	3285	4	13	3280	1	11	3510	4	12
2235	2	7				2445	2	5				2655	2	3				2865	2	1				3075	1	13	3290	5	0	3285	1	12	3515	4	13
2240	2	8				2450	2	6				2660	2	4				2870	2	2				3080	2	0				3290	1	13	3520	4	14
2245	2	9				2455	2	7				2665	2	5				2875	2	3				3085	2	1				3295	1	14	3525	5	0
2250	3	0				2460	2	8				2670	2	6				2880	2	4				3090	2	2				3300	2	0			
						2465	2	9				2675	2	7				2885	2	5				3095	2	3				3305	2	1			
						2470	2	10				2680	2	8				2890	2	6				3100	2	4				3310	2	2			
						2475	3	0				2685	2	9				2895	2	7				3105	2	5				3315	2	3			
												2690	2	10				2900	2	8				3110	2	6				3320	2	4			
												2695	2	11				2905	2	9				3115	2	7				3325	2	5			
												2700	3	0				2910	2	10				3120	2	8				3330	2	6			
																		2915	2	11				3125	2	9				3335	2	7			
																		2920	2	12				3130	2	10				3340	2	8			
																		2925	3	0				3135	2	11				3345	2	9			
																								3140	2	12				3350	2	10			
																								3145	2	13				3355	2	11			
																								3150	3	0				3360	2	12			
																													3365	2	13				
																													3370	2	14				
																													3375	3	0				

∅ 120 cm



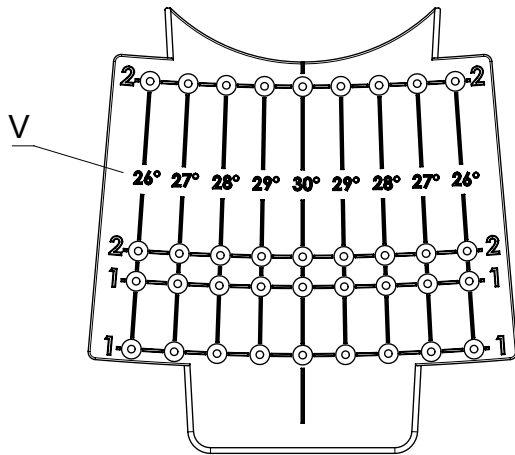
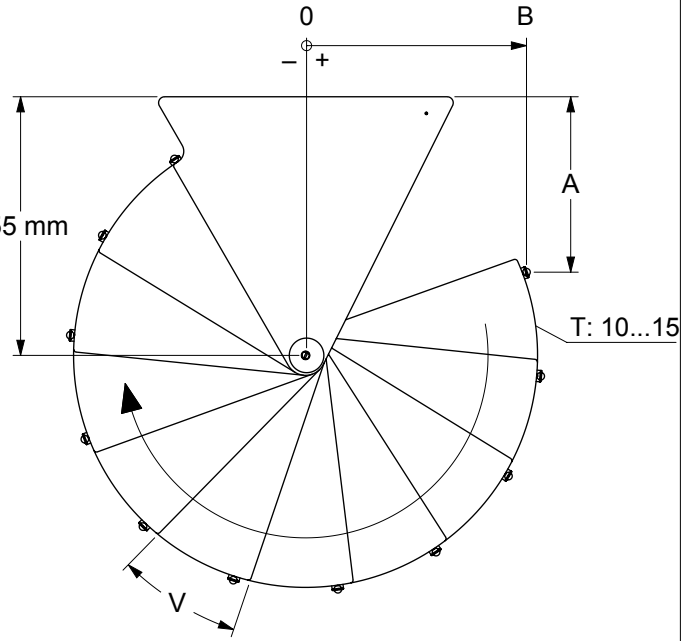
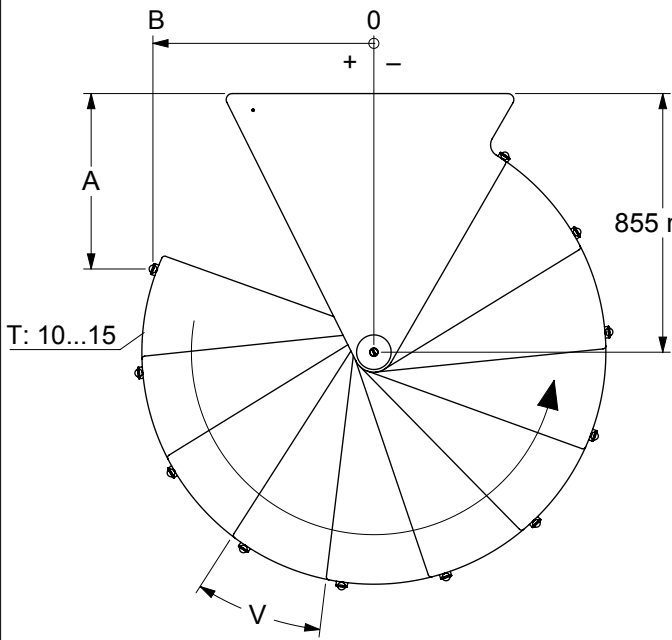
∅ 120 cm			
T	V	A	B
	°	mm	mm
10	26	1046	429
	27	865	541
	28	656	580
	29	447	542
	30	265	431
11	26	862	542
	27	629	580
	28	400	522
	29	214	377
	30	100	170
12	26	650	580
	27	398	520
	28	197	356
	29	87	121
	30	91	-138
13	26	438	539
	27	209	373
	28	86	118
	29	98	-164
	30	241	-408
14	26	256	422
	27	97	161
	28	93	-144
	29	244	-410
	30	509	-562
15	26	130	247
	27	80	-77
	28	214	-377
	29	489	-556
	30	817	-558

∅ 140 cm

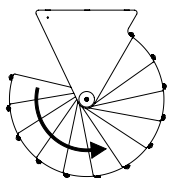
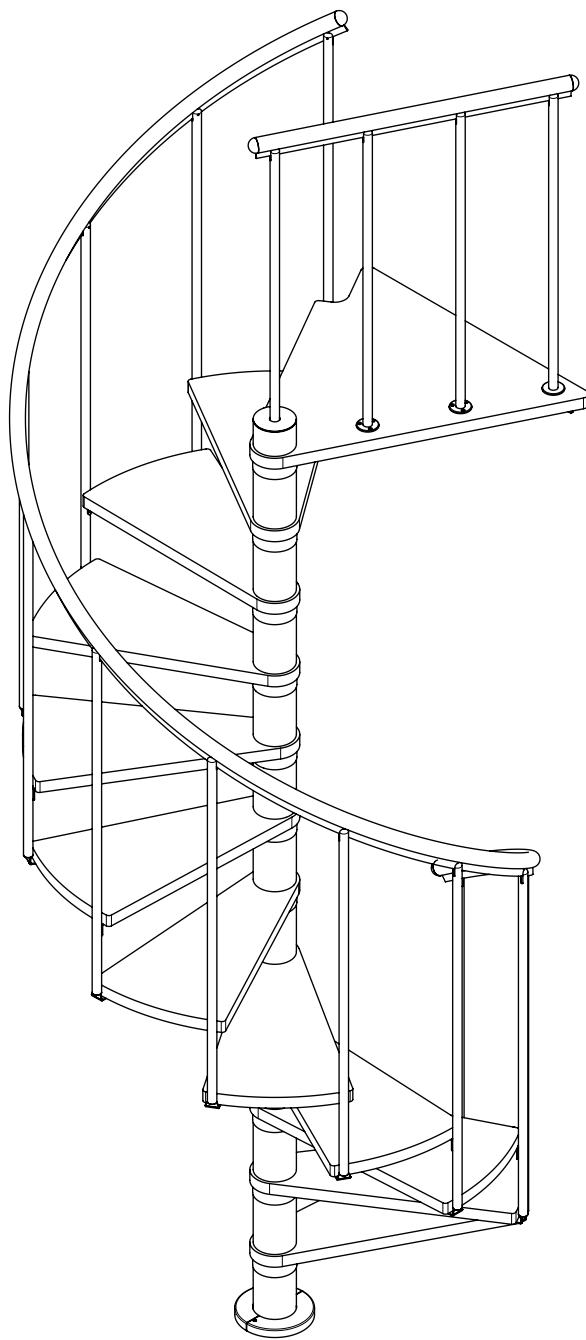
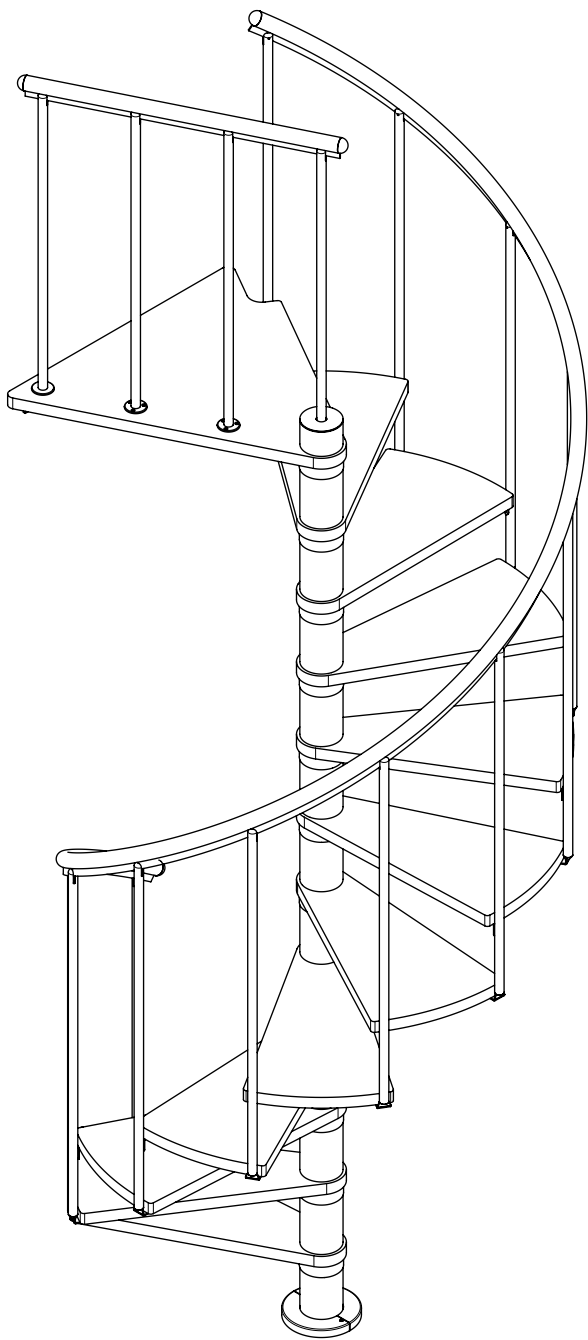
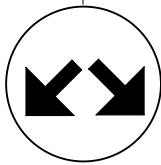


∅ 140 cm			
T	V	A	B
	°	mm	mm
10	26	1203	513
	27	1022	626
	28	816	678
	29	603	663
	30	405	584
11	26	982	642
	27	749	680
	28	516	637
	29	313	517
	30	162	334
12	26	729	680
	27	476	621
	28	264	471
	29	123	253
	30	75	-3
13	26	480	623
	27	250	457
	28	108	212
	29	78	-69
	30	165	-339
14	26	270	477
	27	110	216
	28	80	-89
	29	188	-376
	30	410	-586
15	26	128	265
	27	77	-61
	28	185	-372
	29	427	-596
	30	745	-680

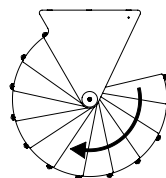
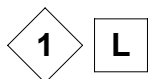
∅ 160 cm



∅ 160 cm			
T	V	A	B
	°	mm	mm
10	26	1319	628
	27	1132	730
	28	924	777
	29	711	767
	30	509	699
11	26	1047	757
	27	812	779
	28	580	730
	29	374	614
	30	212	442
12	26	747	773
	27	499	694
	28	290	539
	29	145	323
	30	78	72
13	26	463	675
	27	205	433
	28	112	241
	29	75	-40
	30	141	-316
14	26	237	477
	27	77	61
	28	82	-105
	29	182	-395
	30	386	-624
15	26	103	208
	27	146	-326
	28	203	-430
	29	439	-661
	30	750	-773

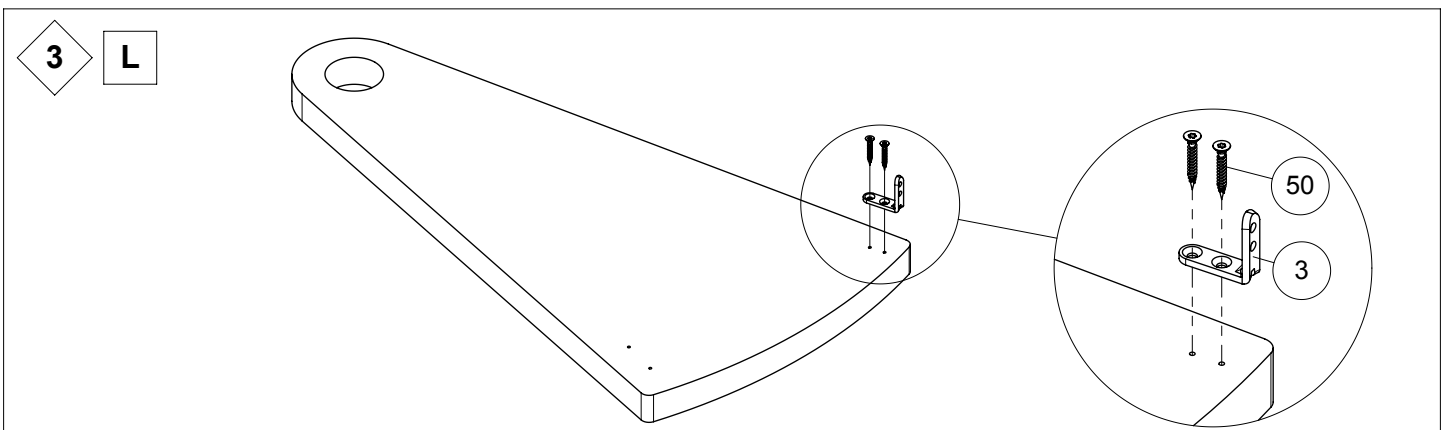
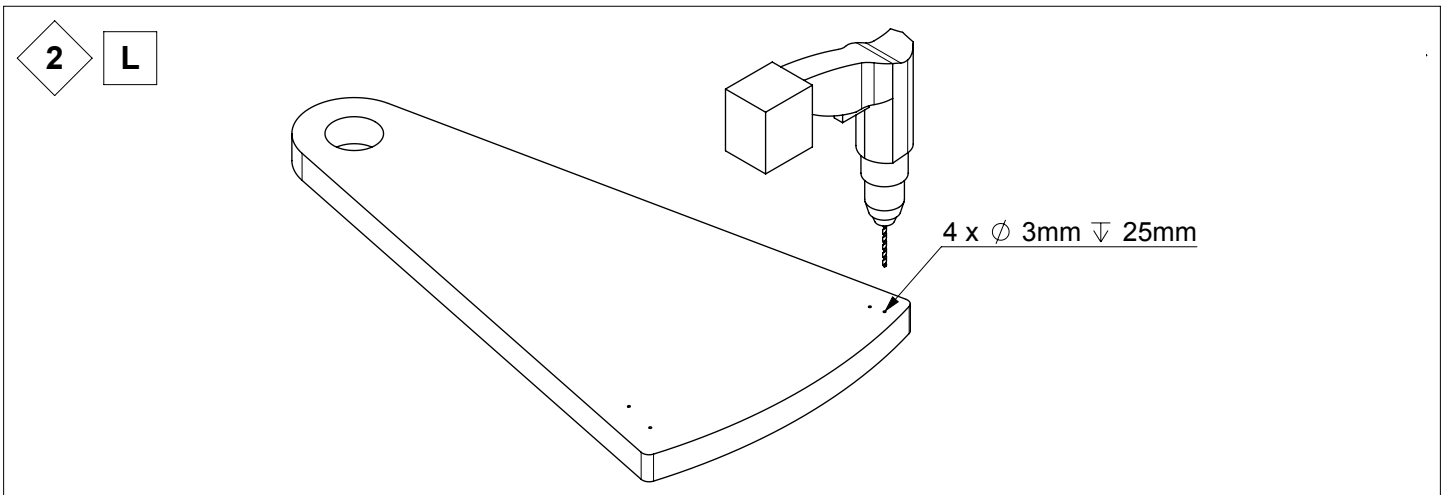
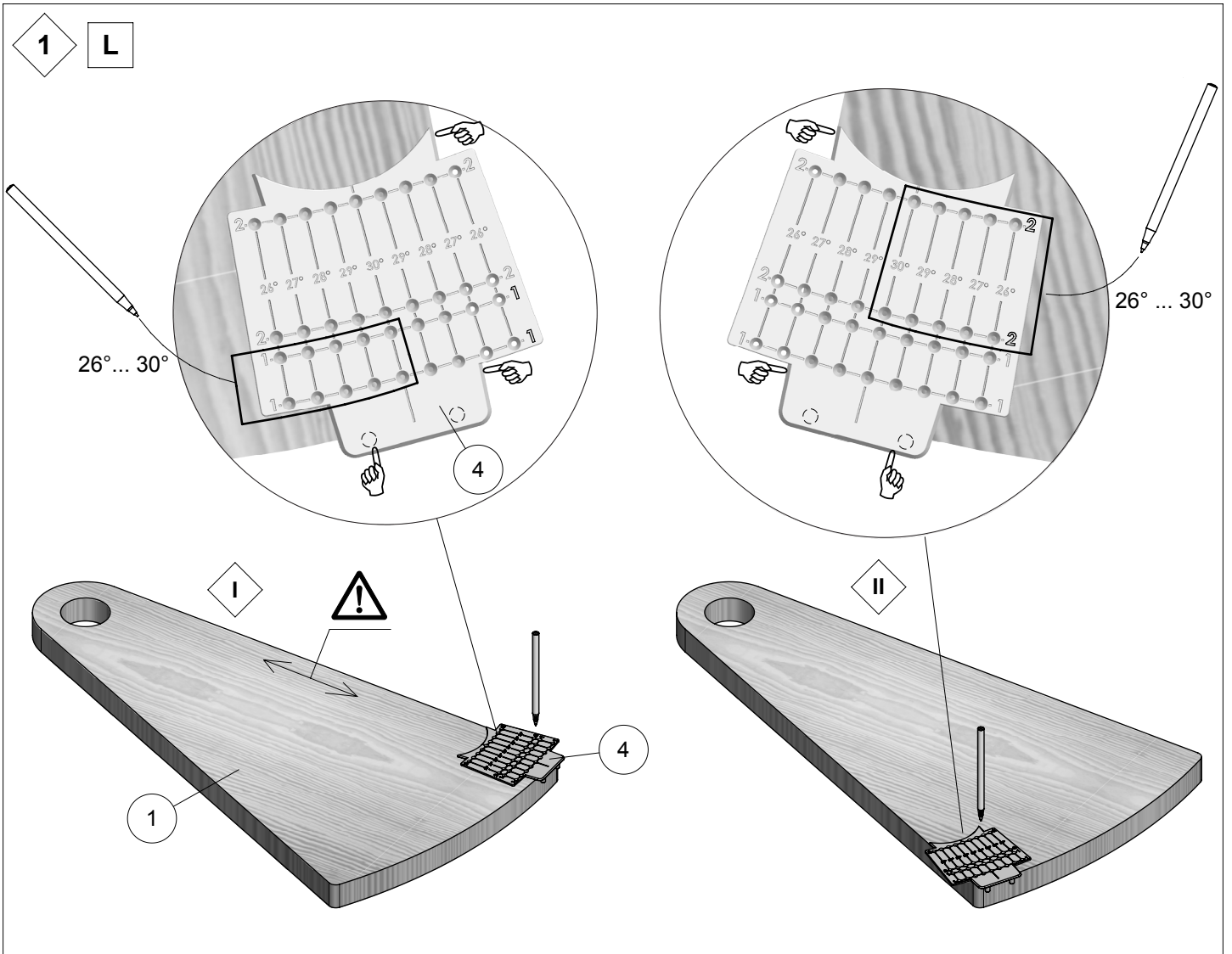


Left  
Links  
Gauche

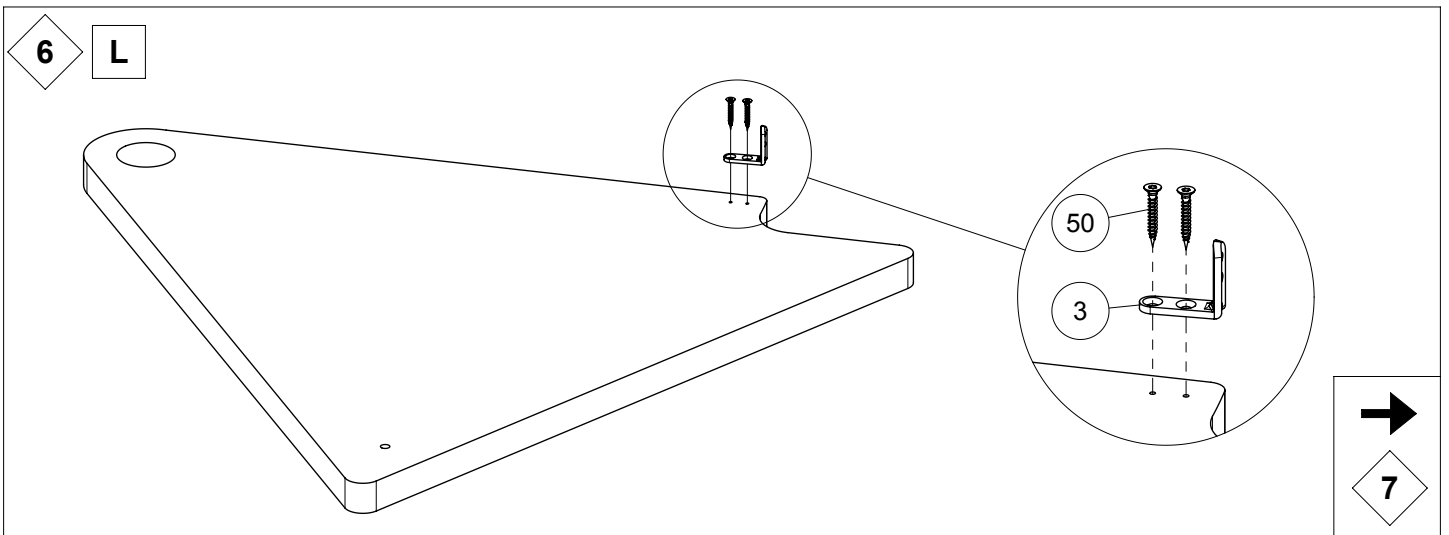
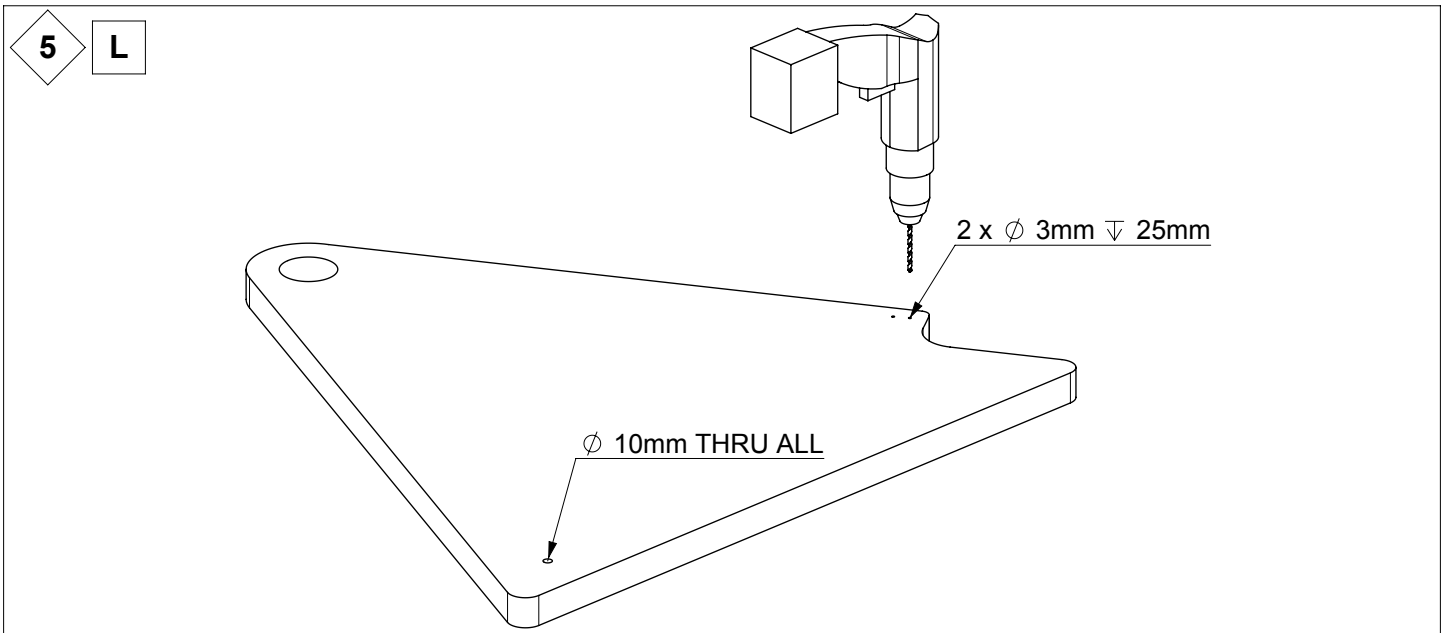
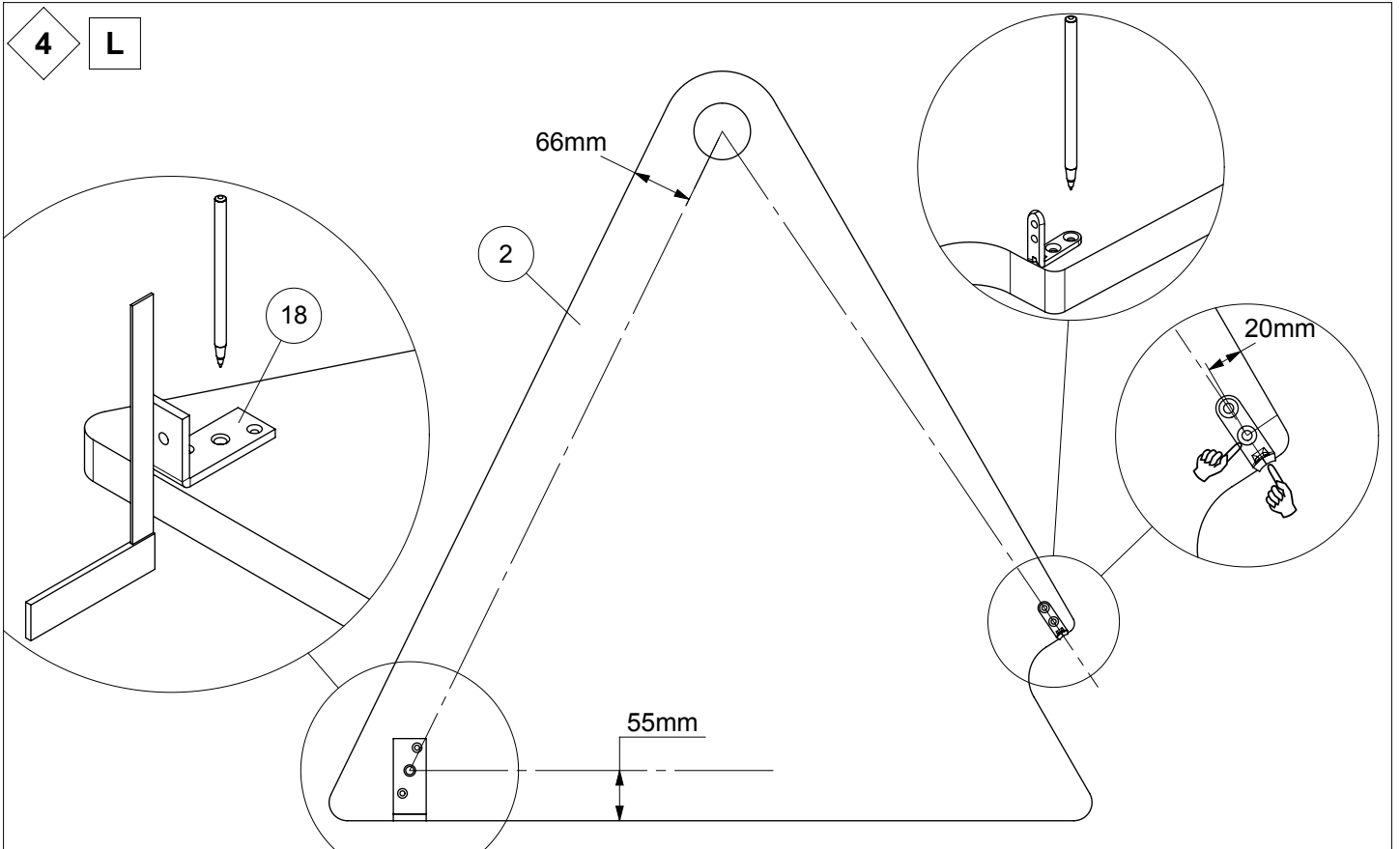


Right  
Recht  
Droite

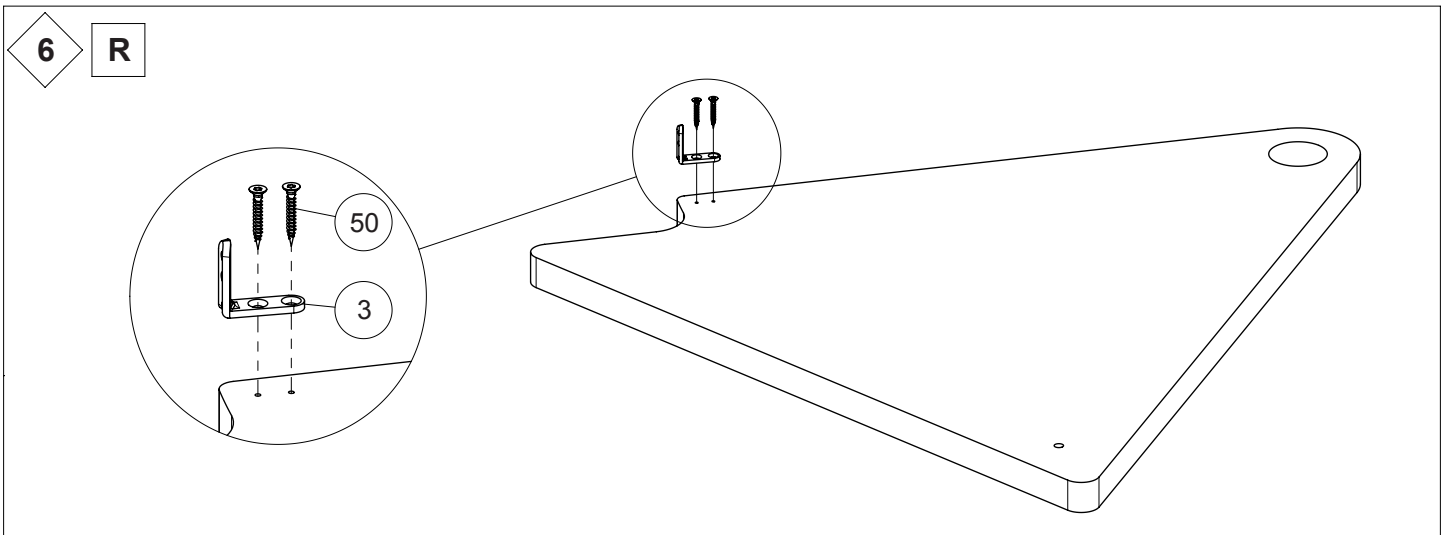
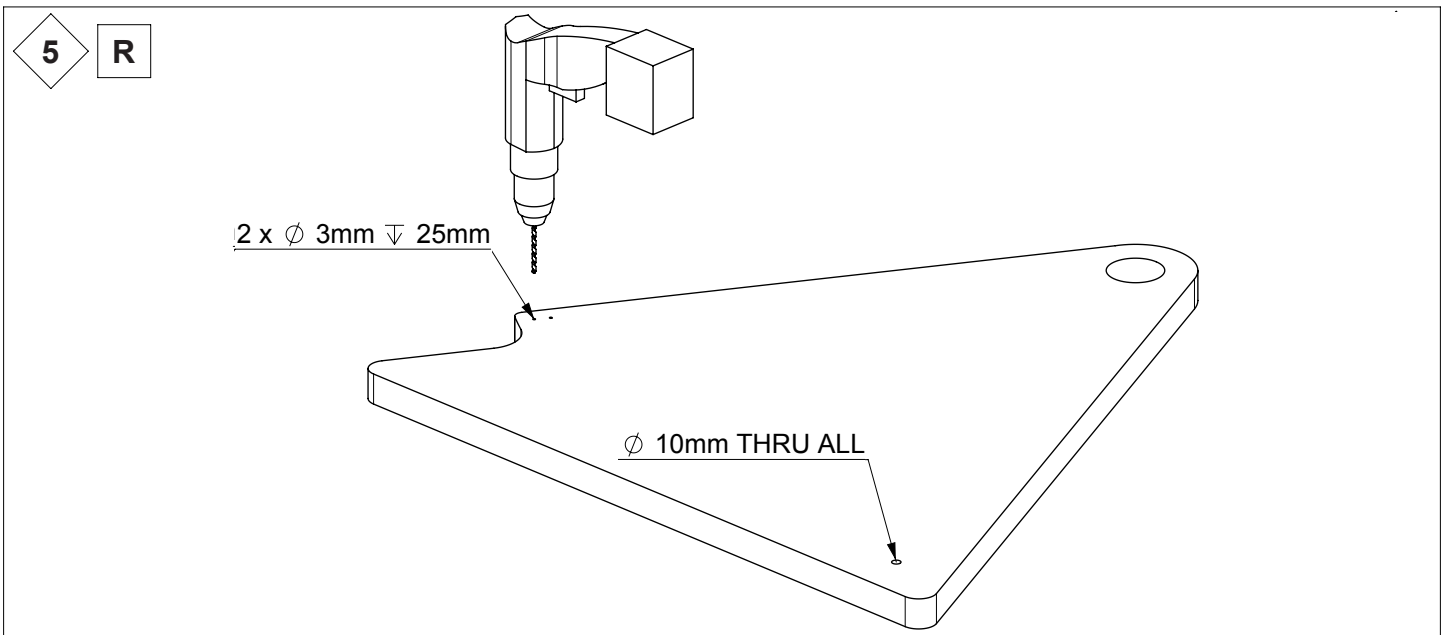
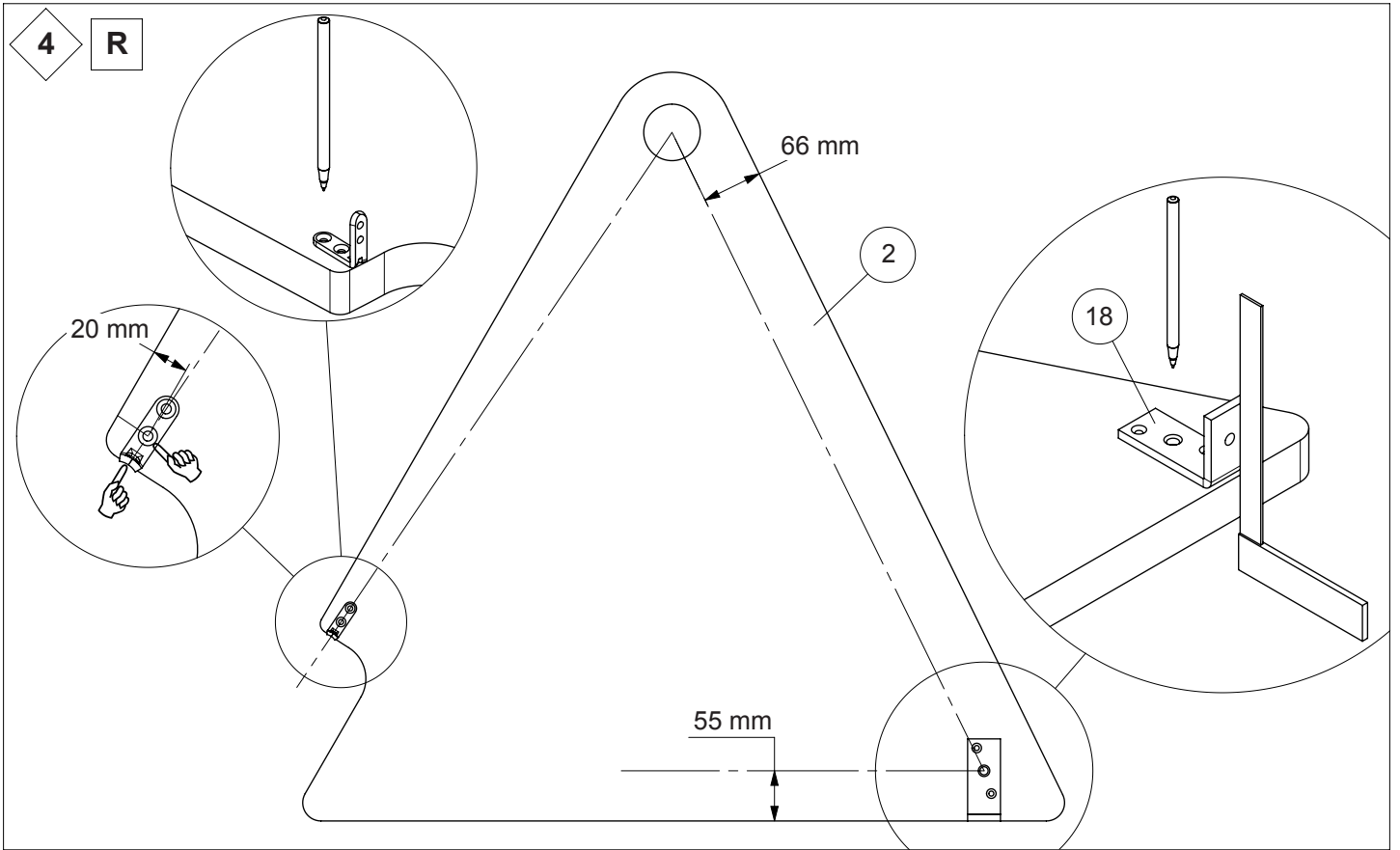


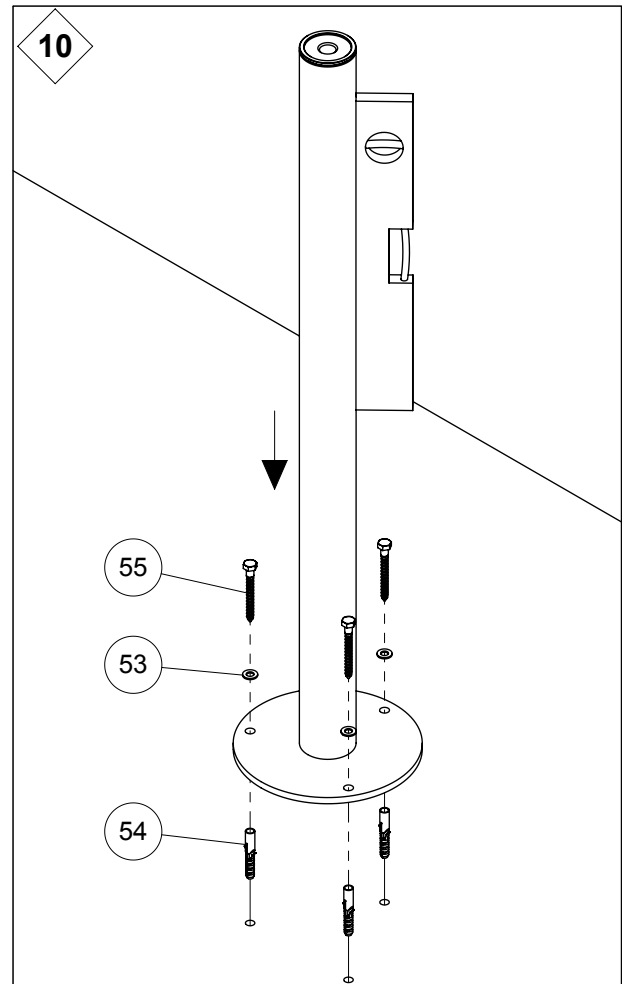
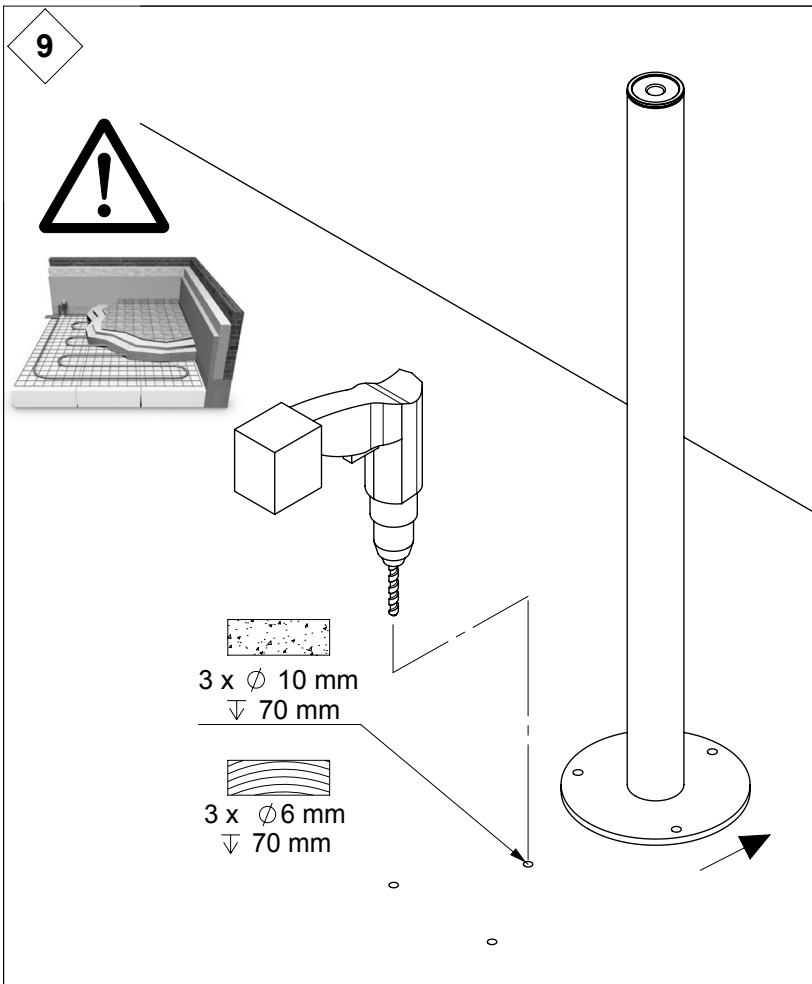
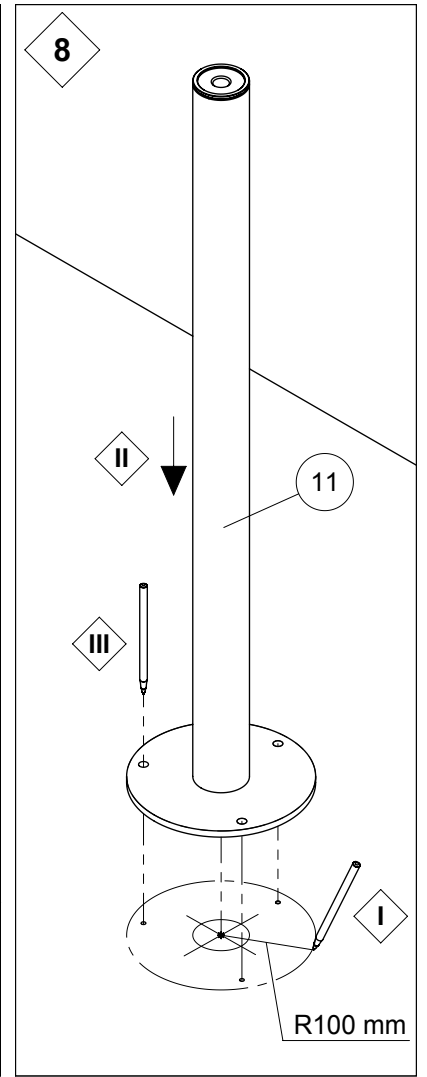
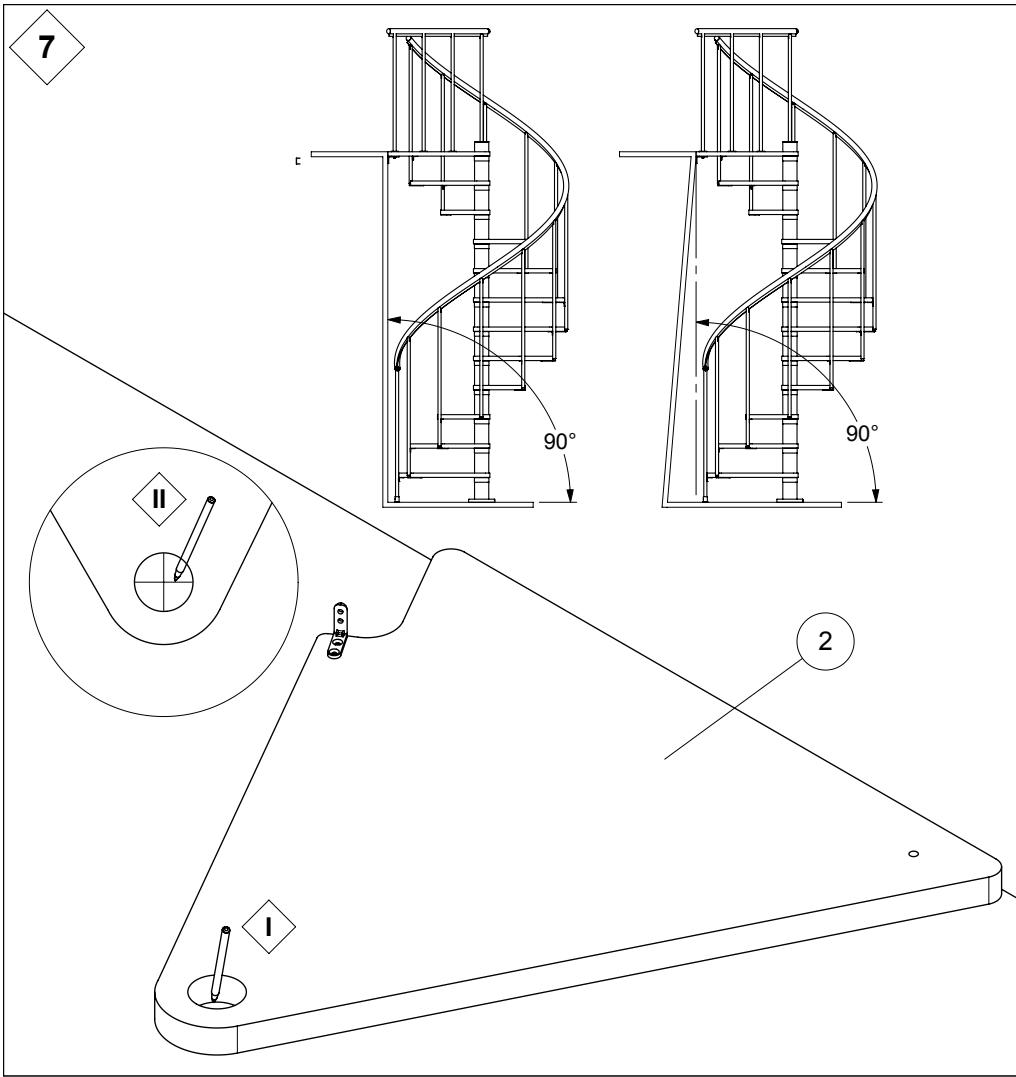


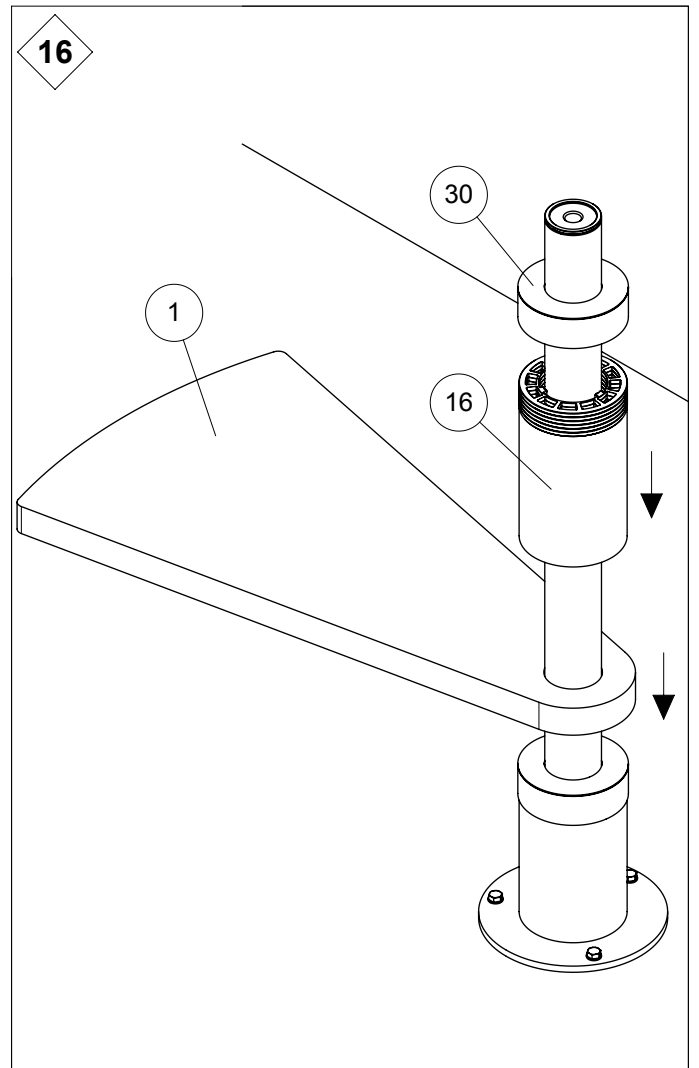
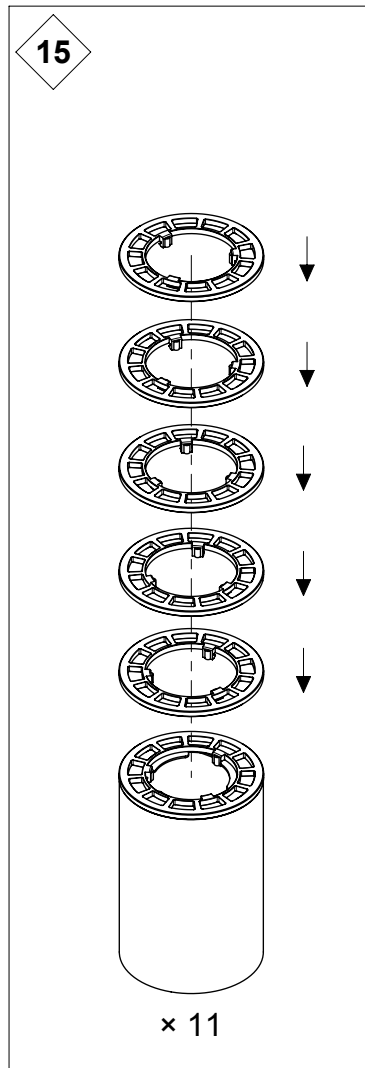
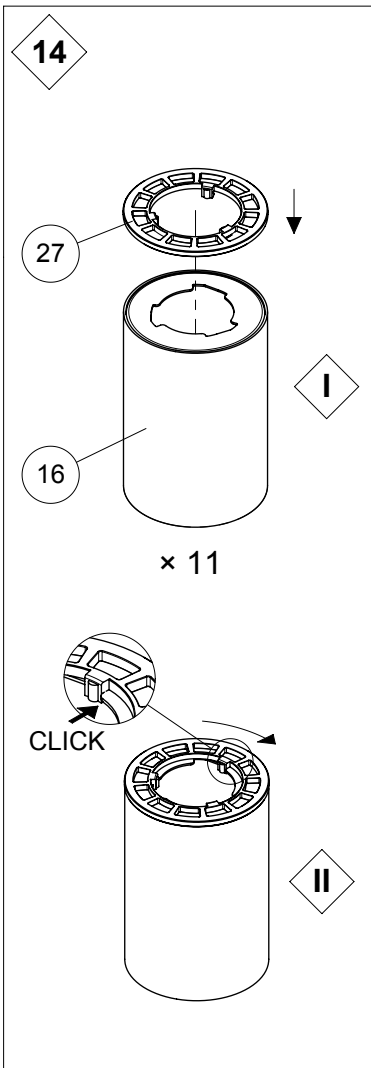
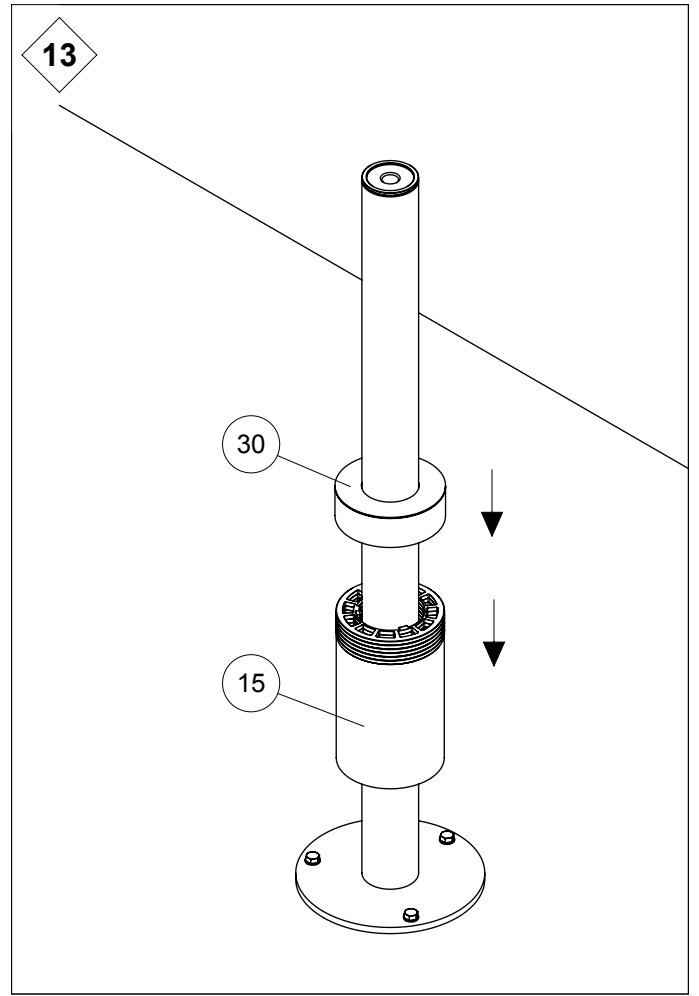
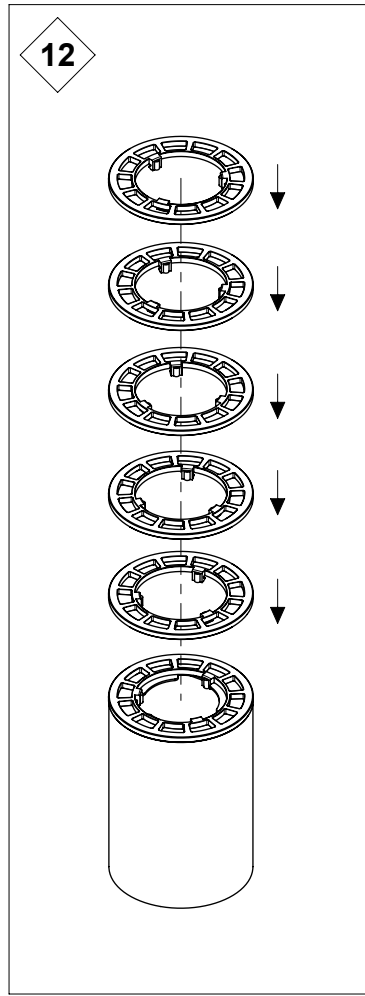
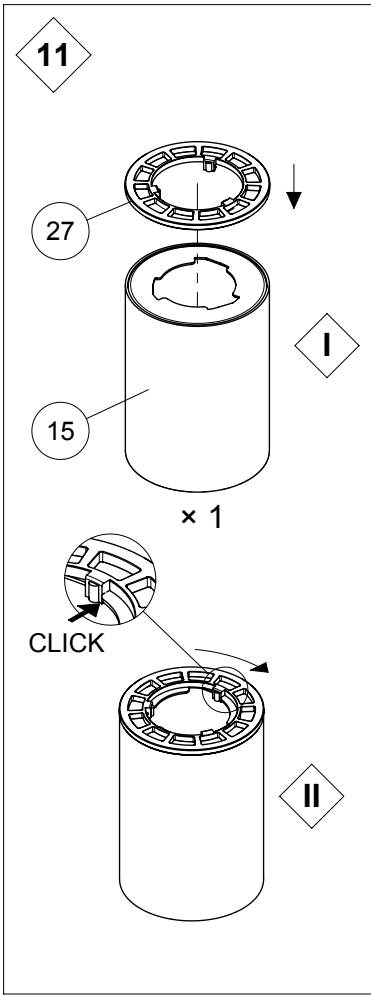




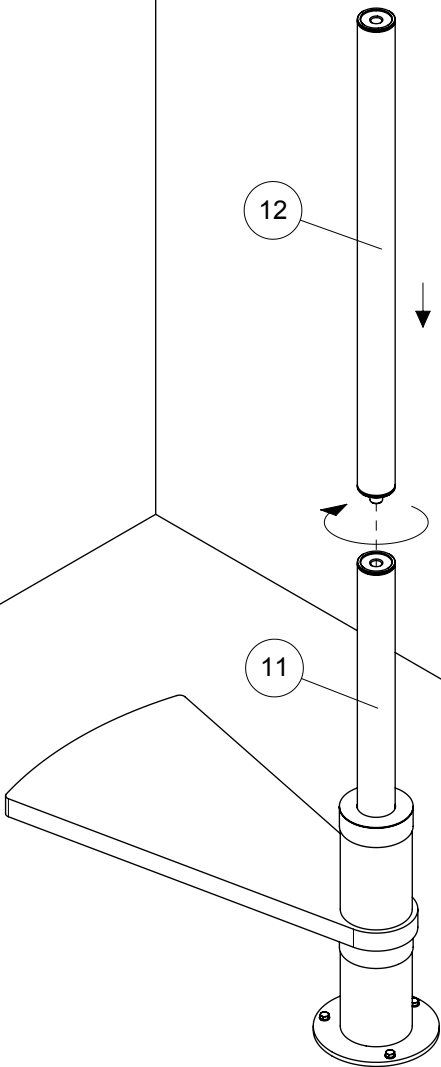




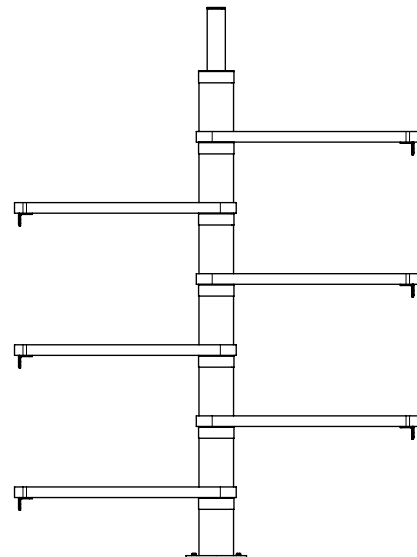
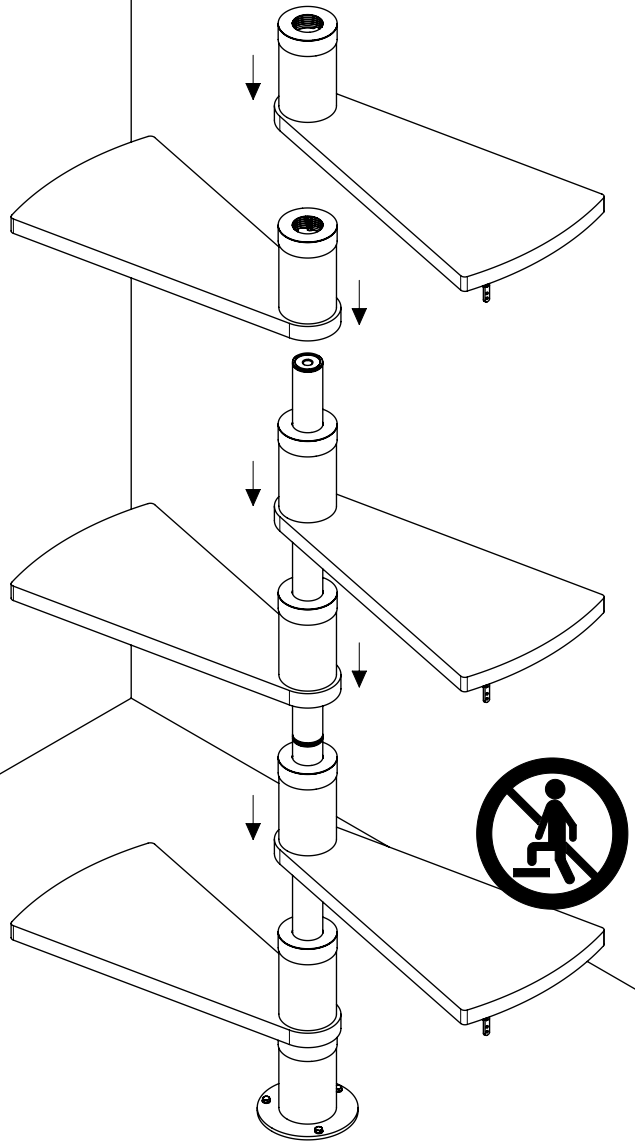


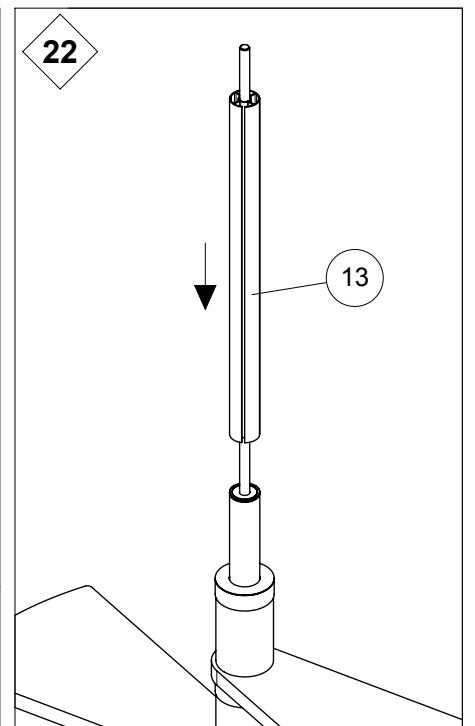
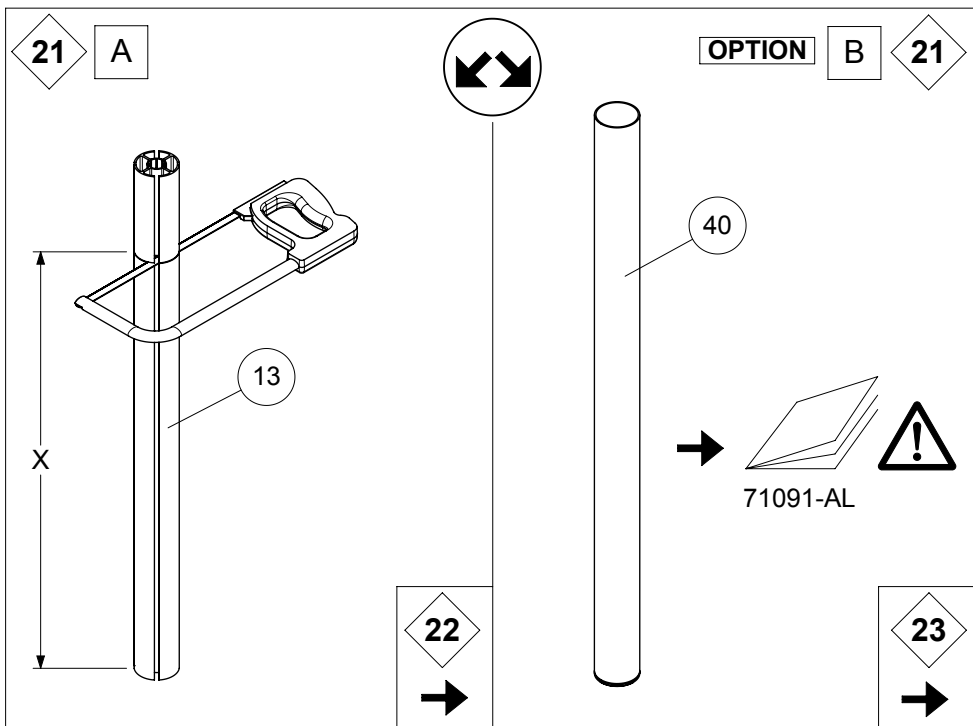
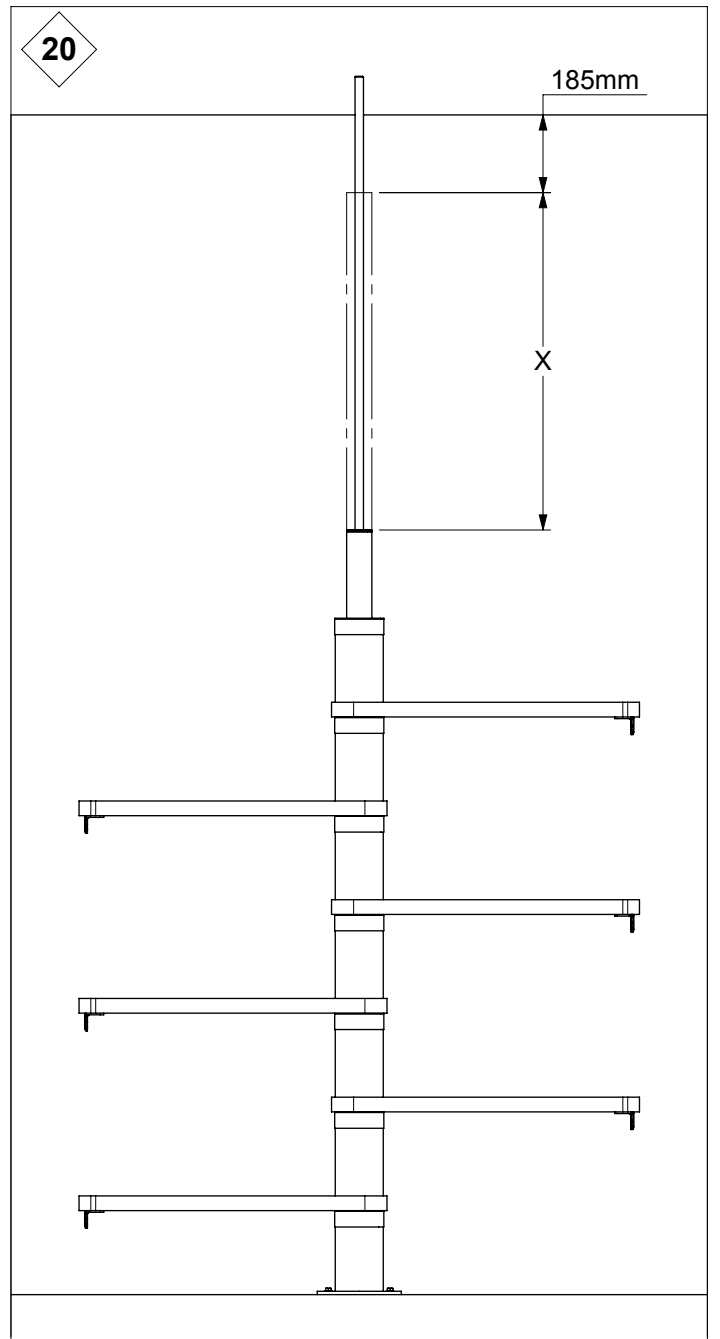
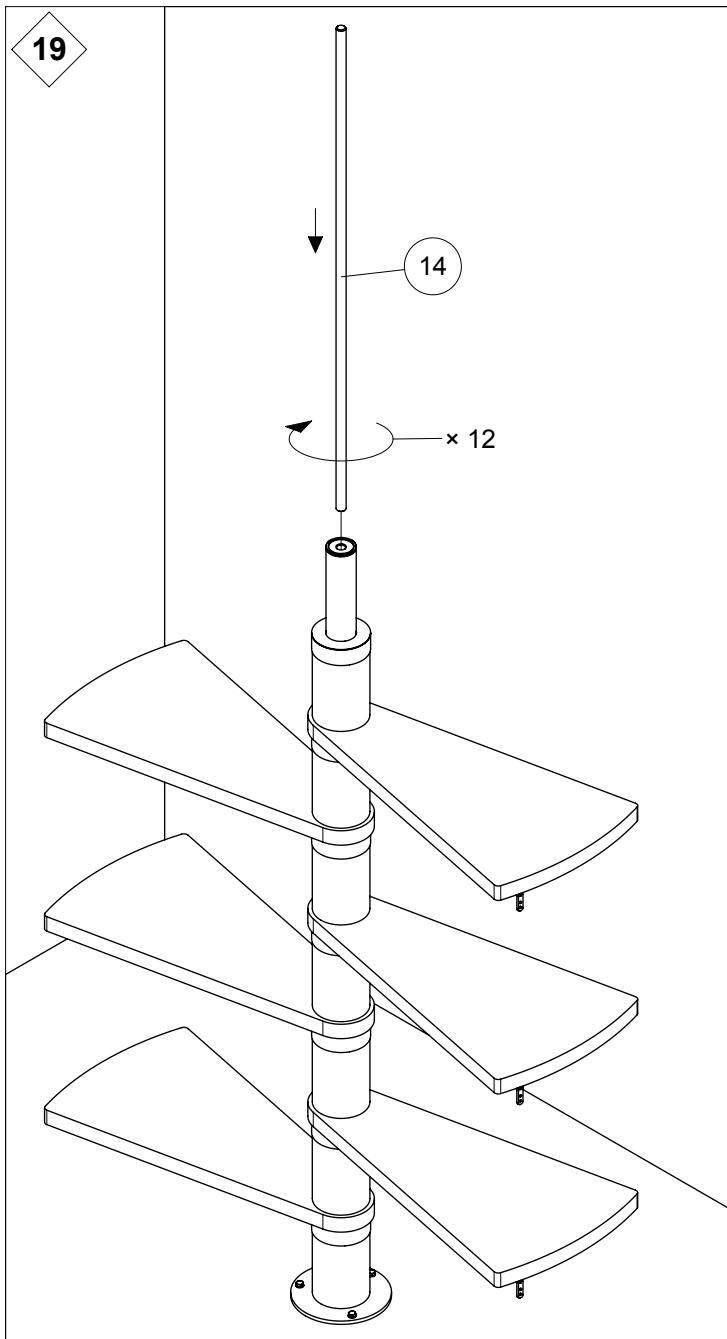


17

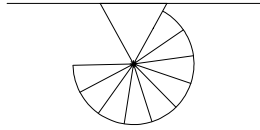
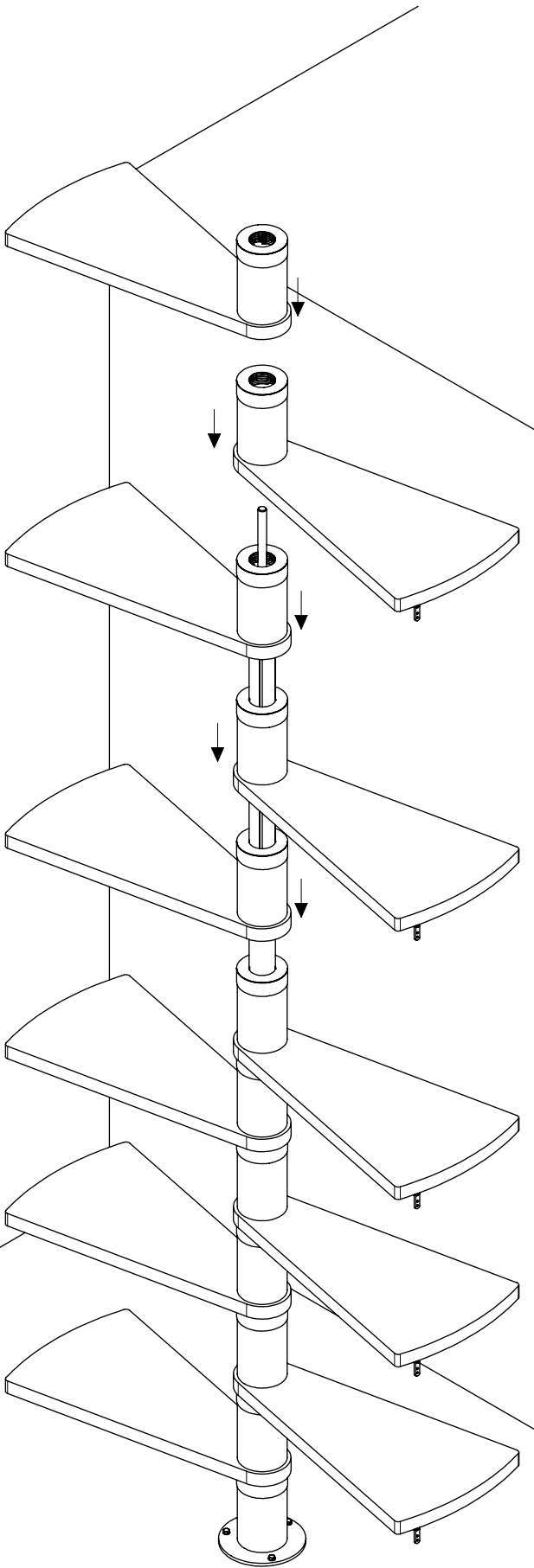


18

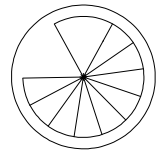
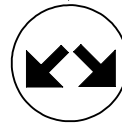




23

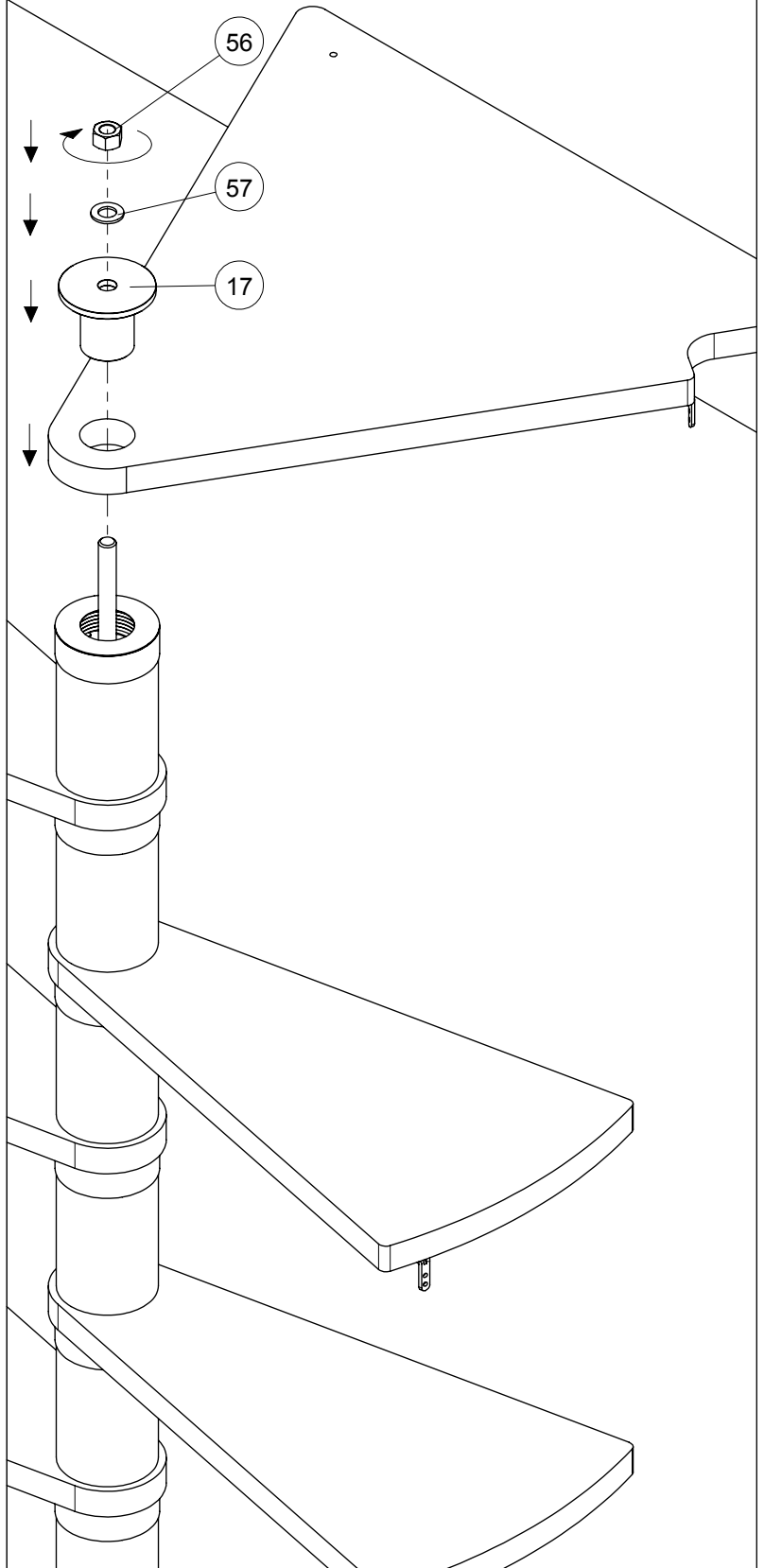


24 - 26b



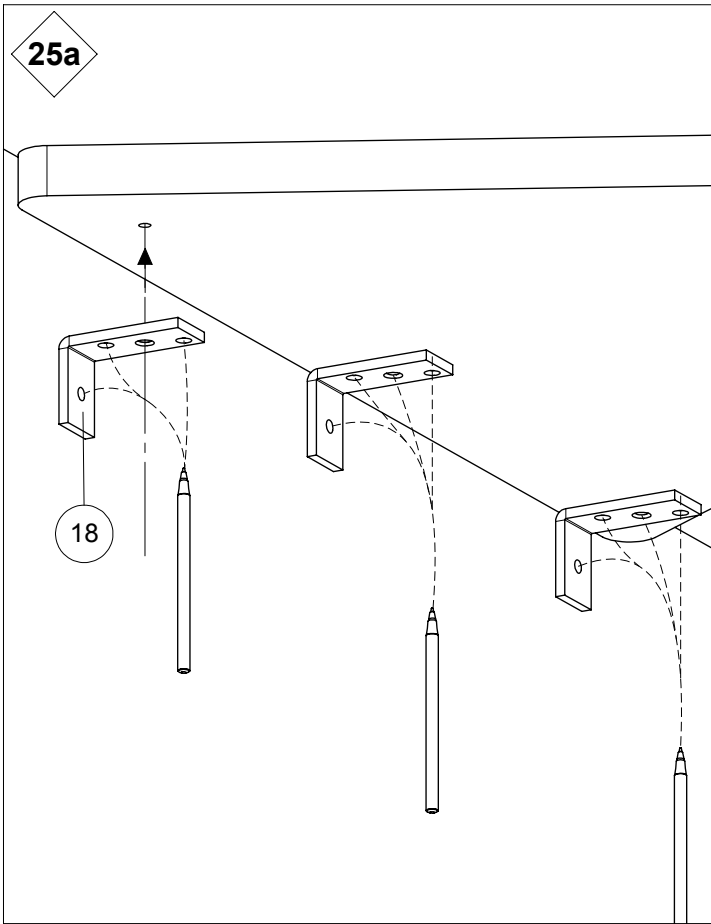
27a - 28b

24

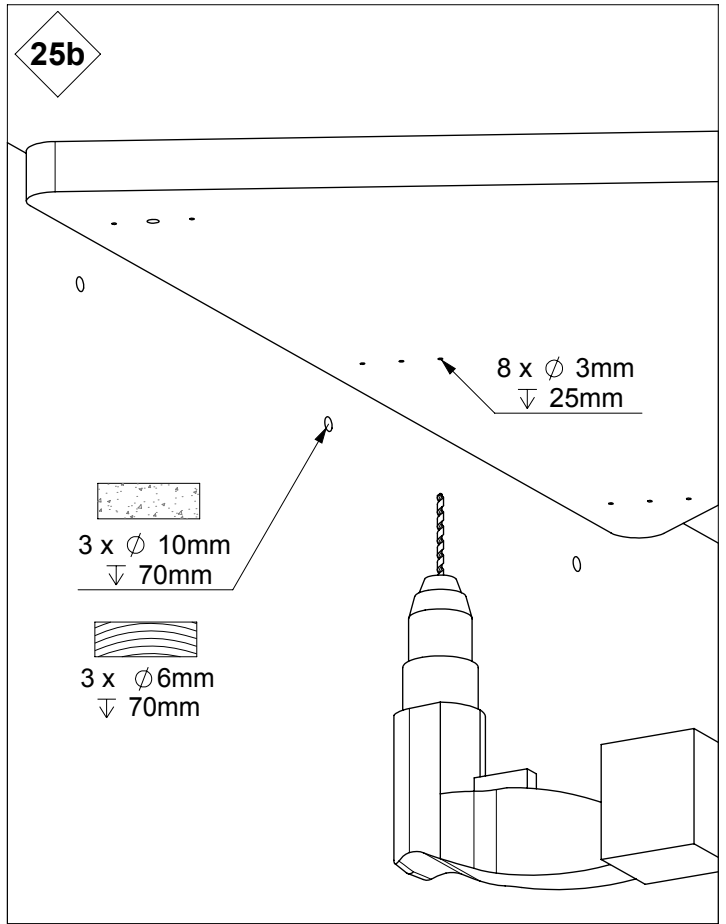




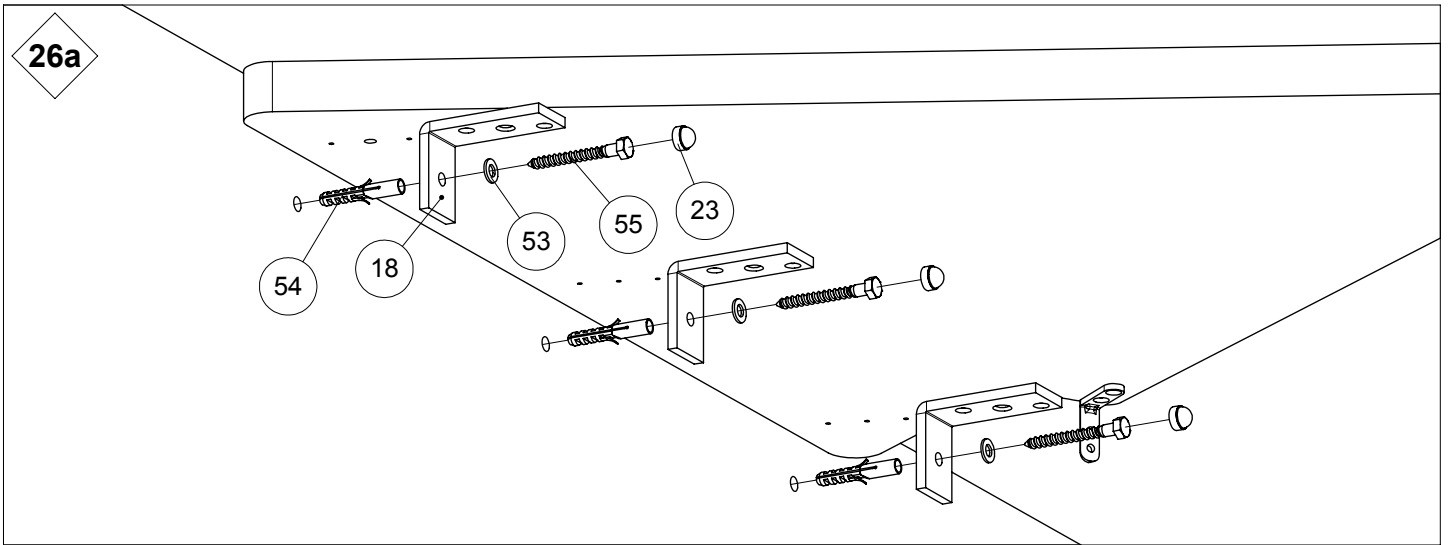
25a



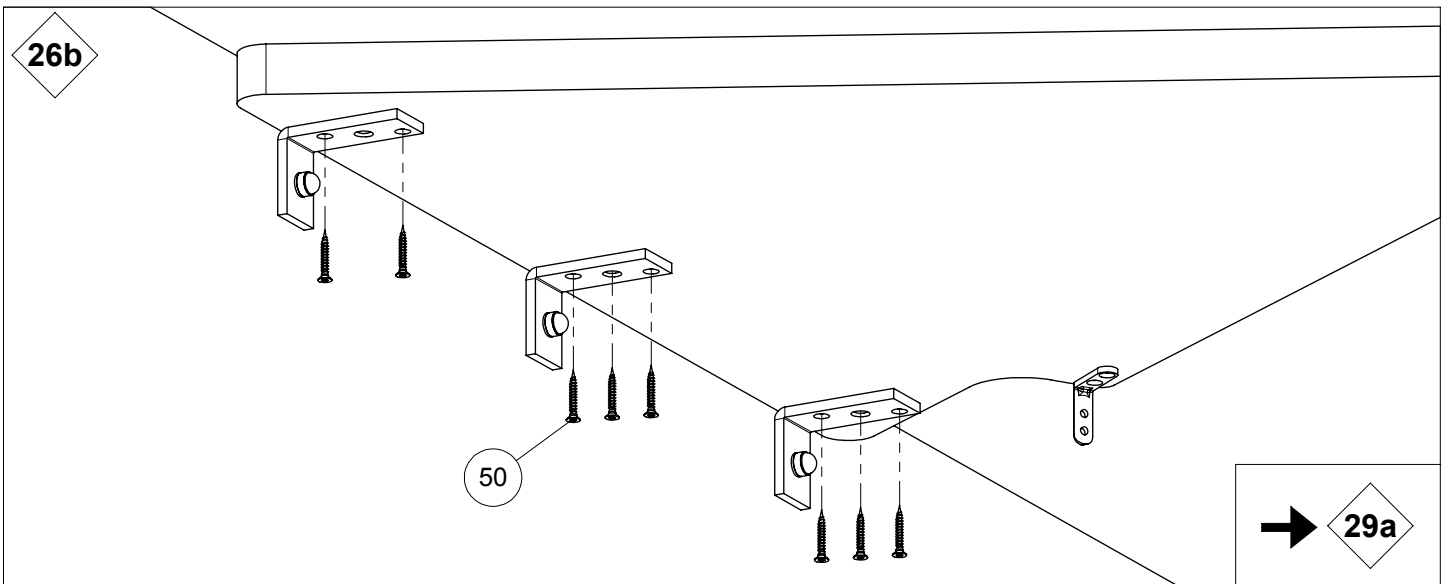
25b

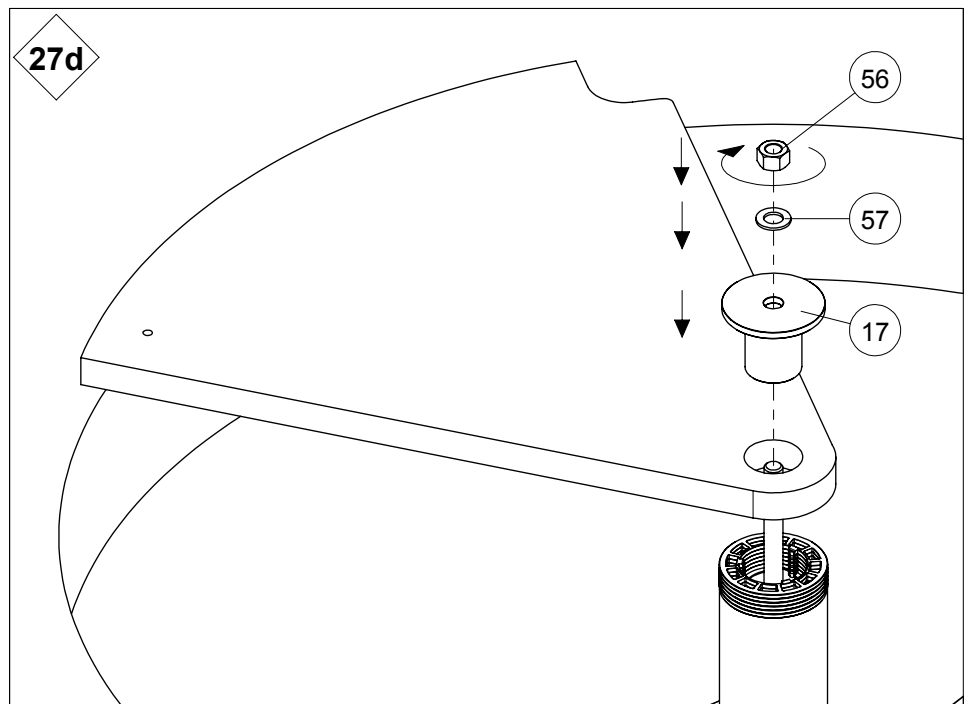
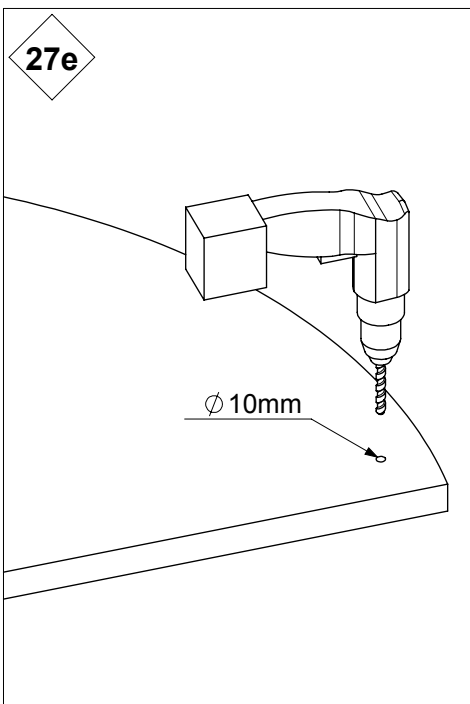
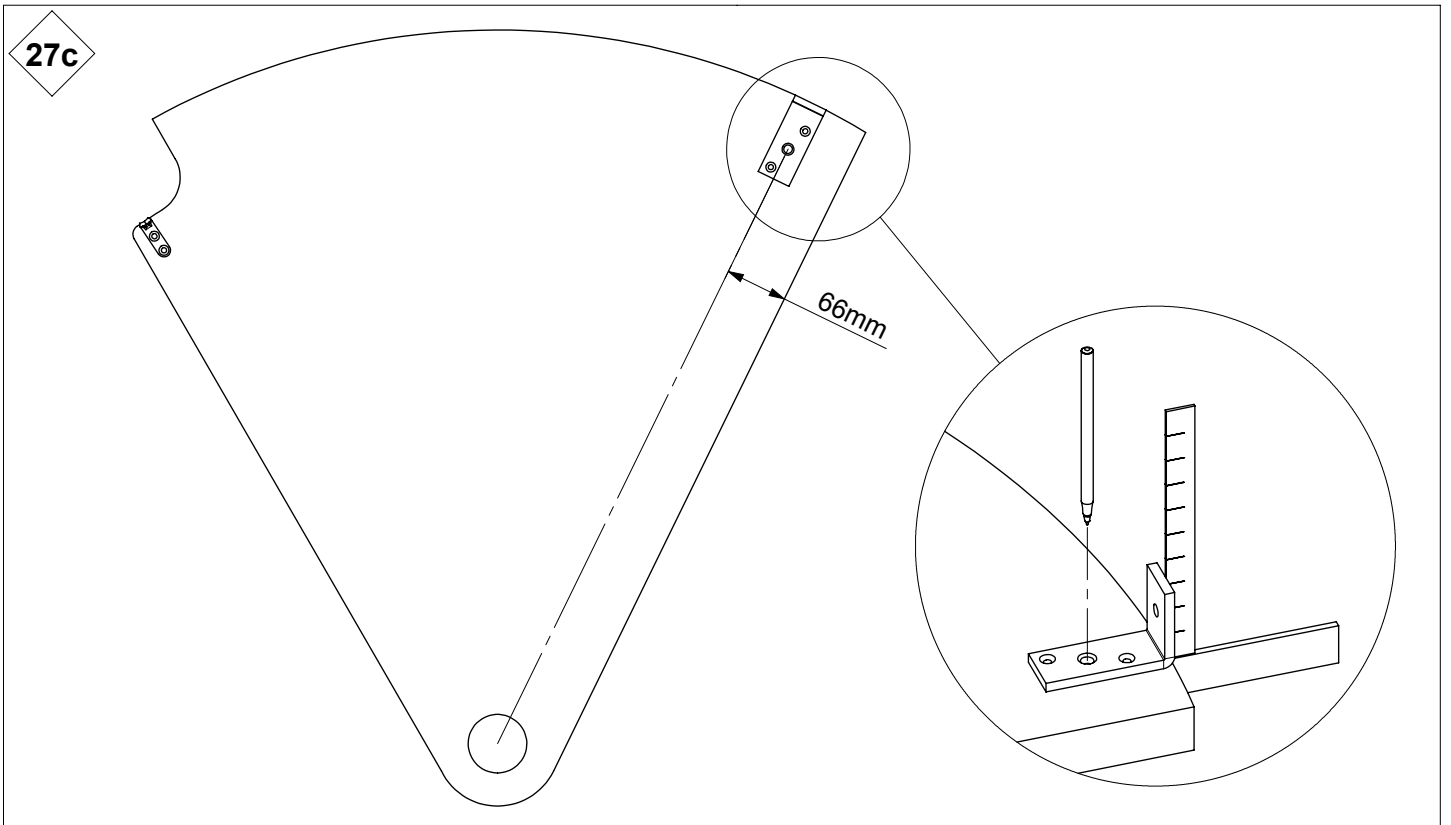
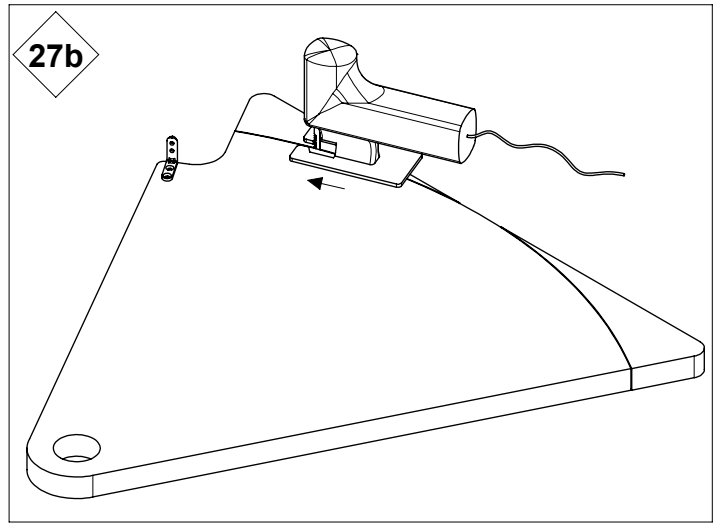
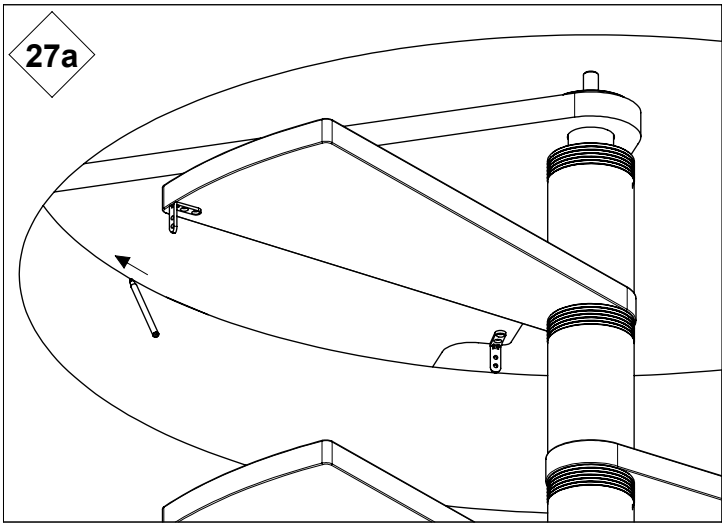


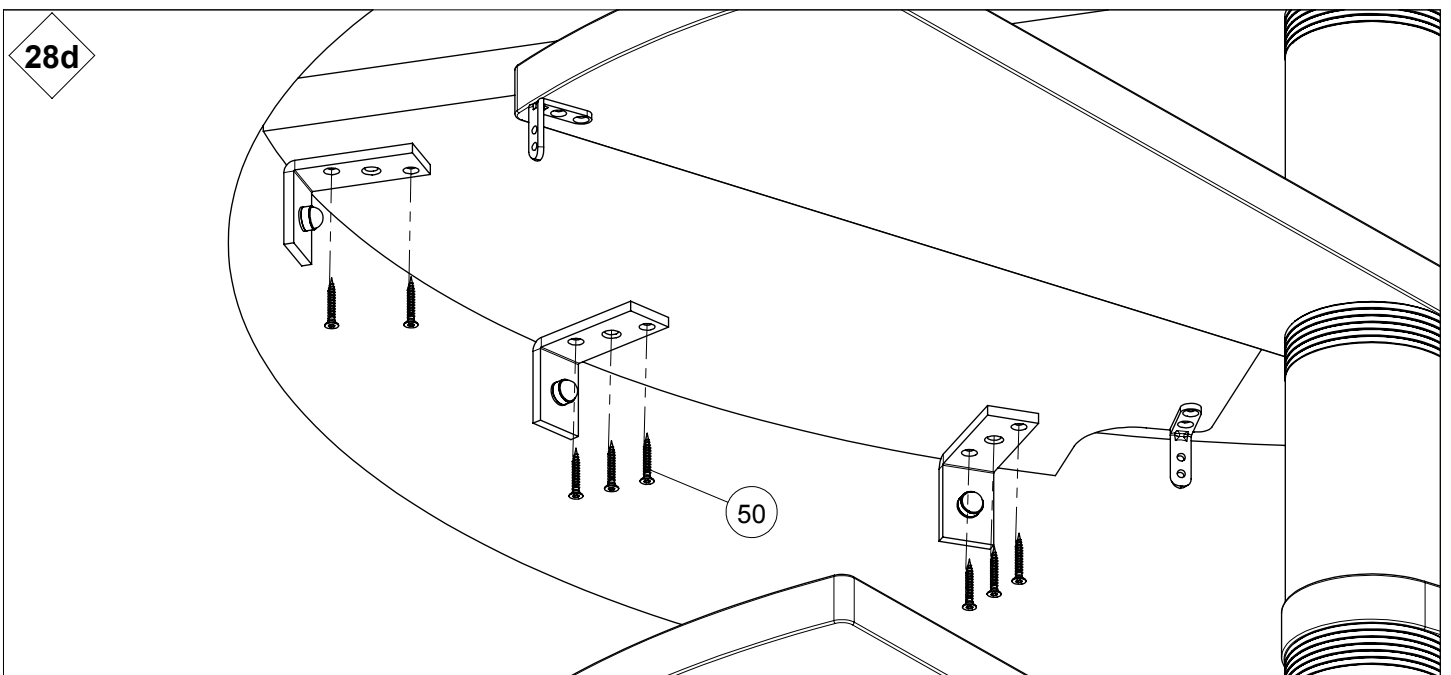
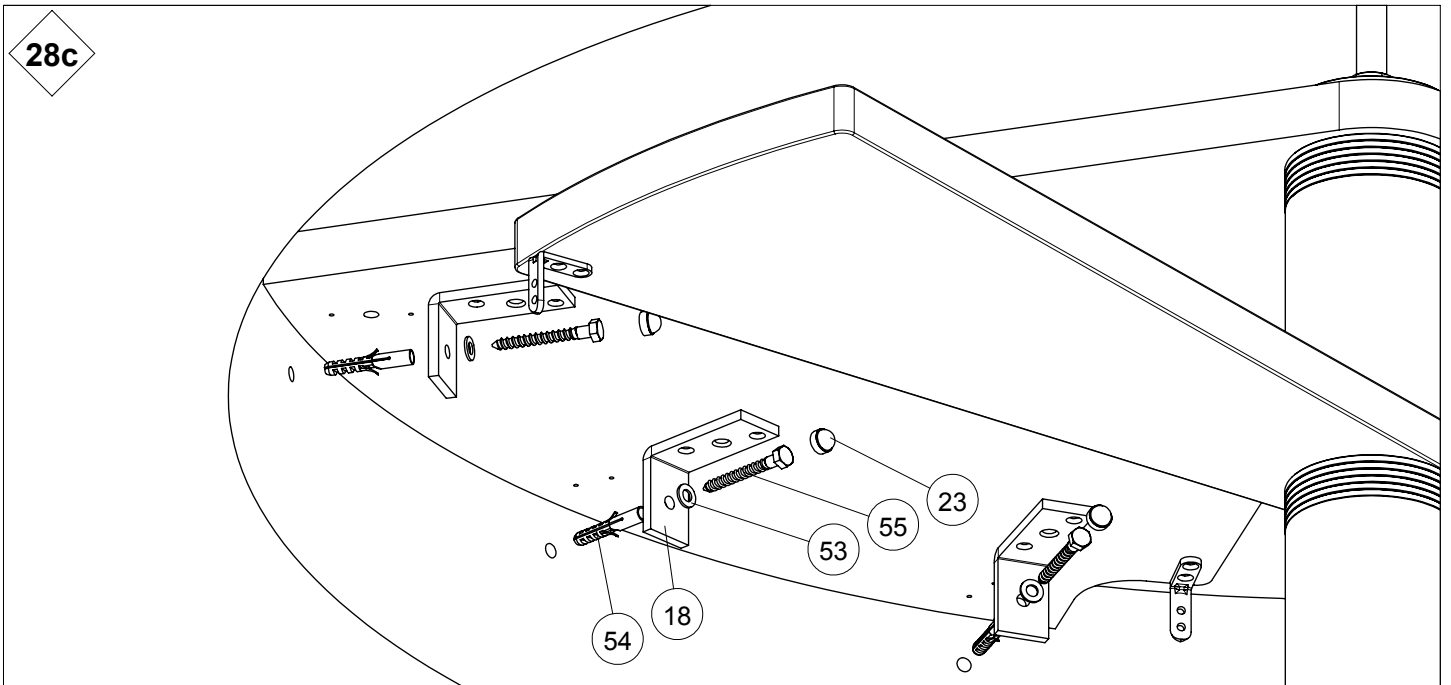
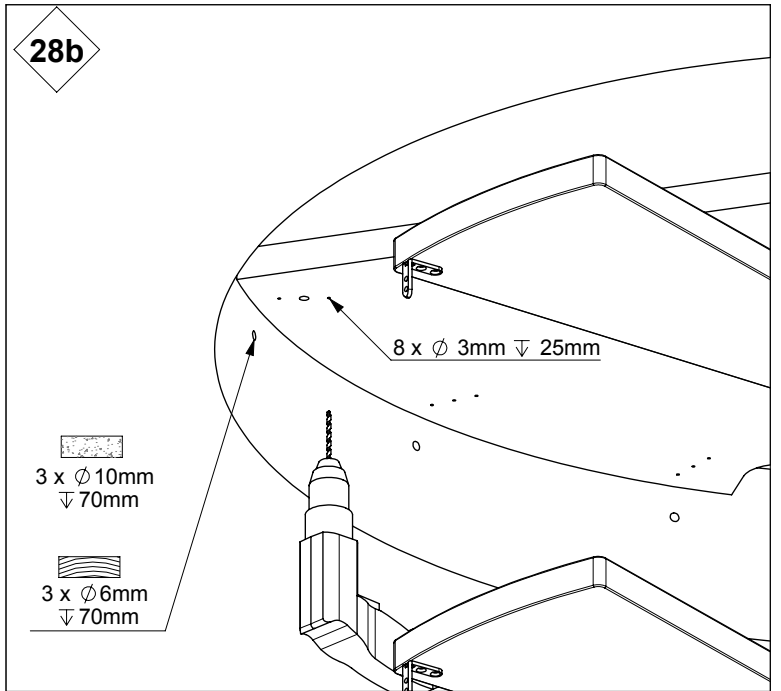
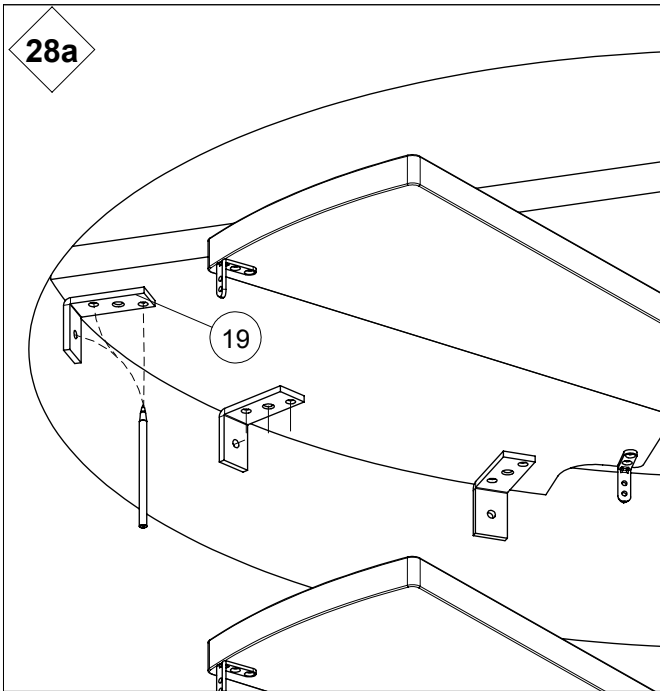
26a

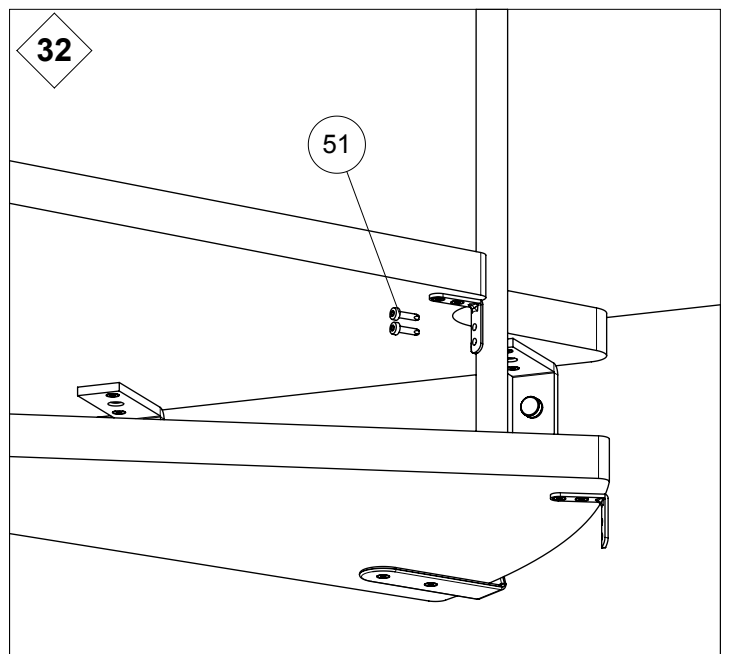
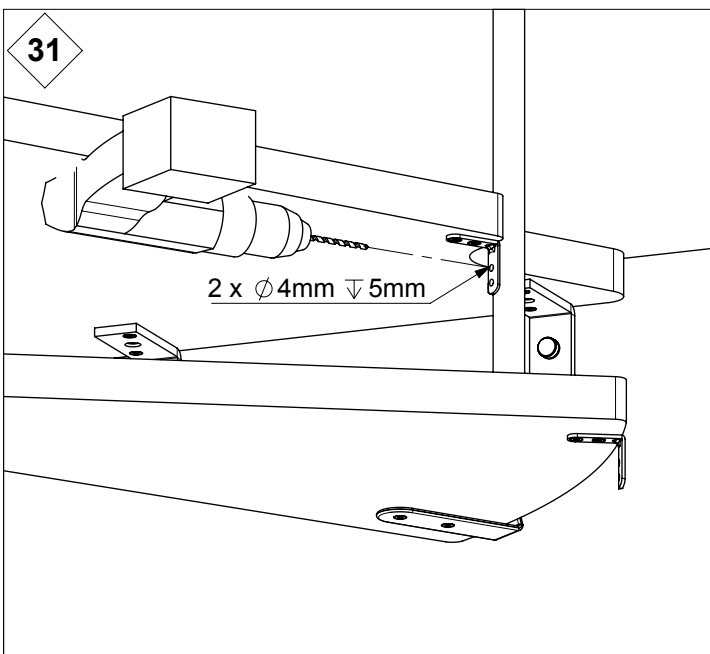
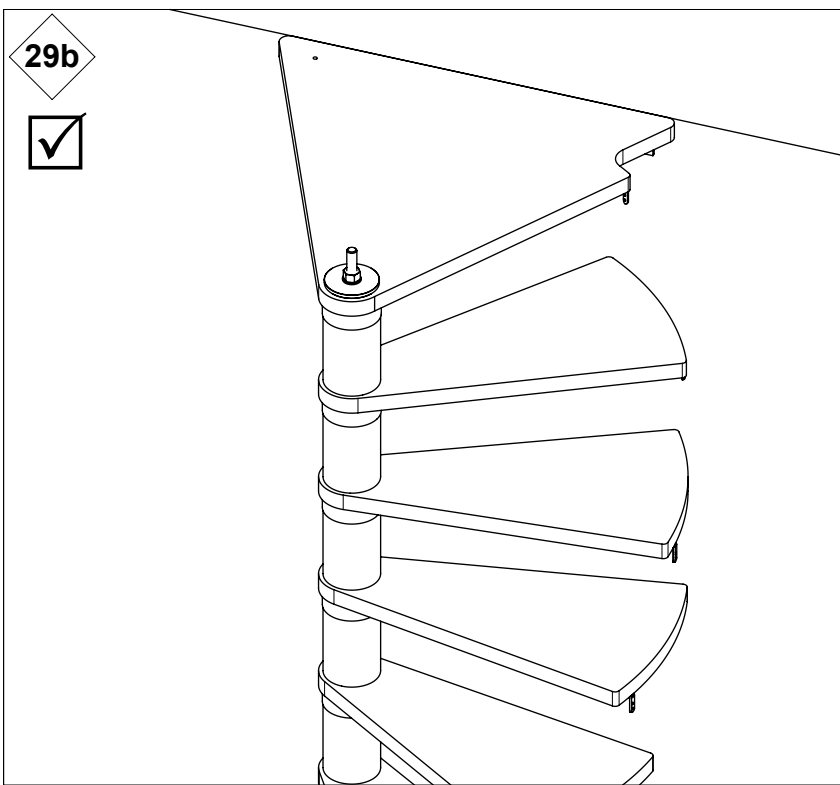
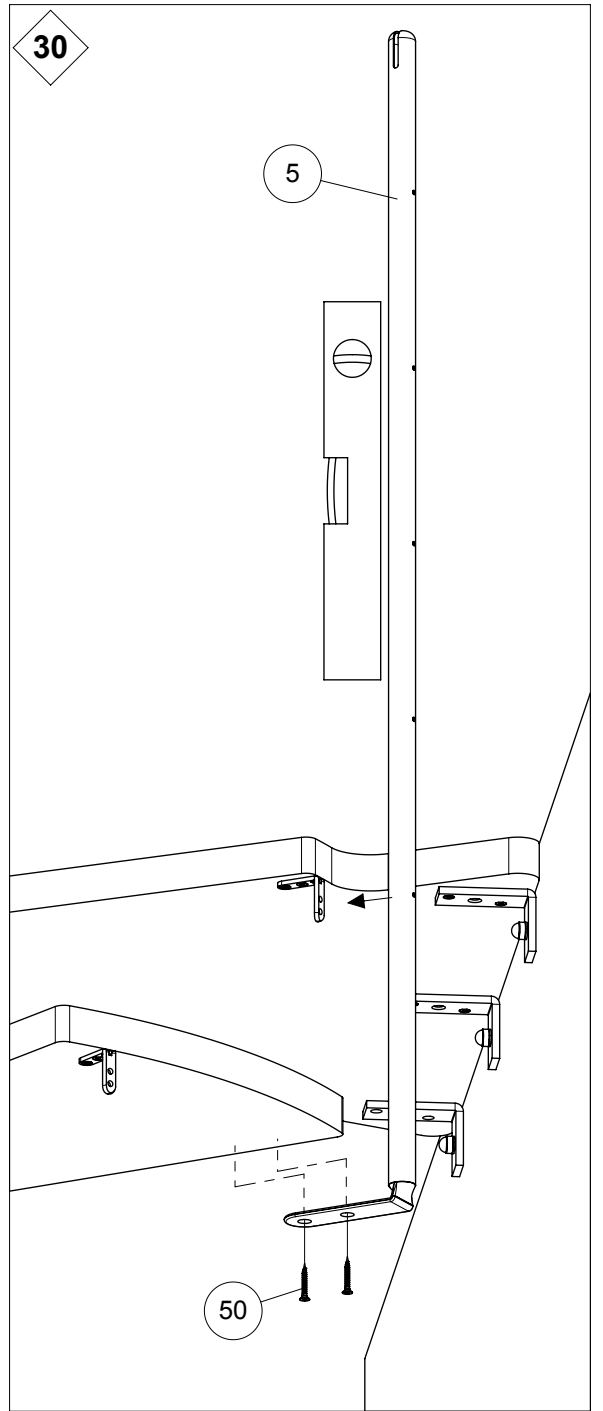
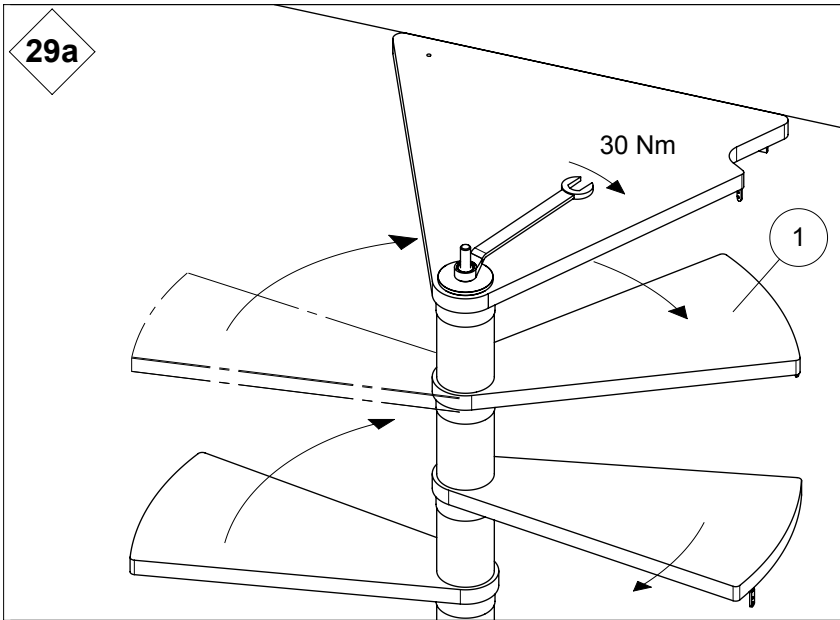


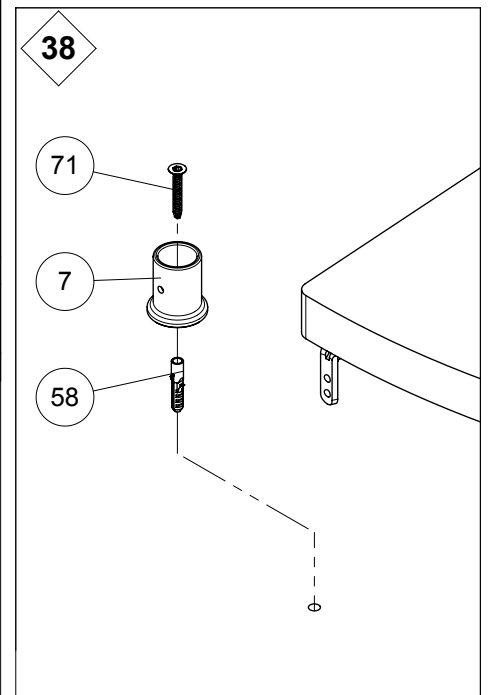
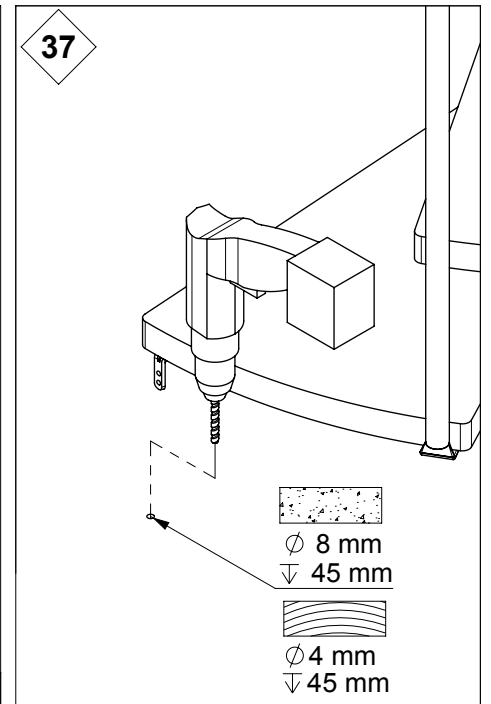
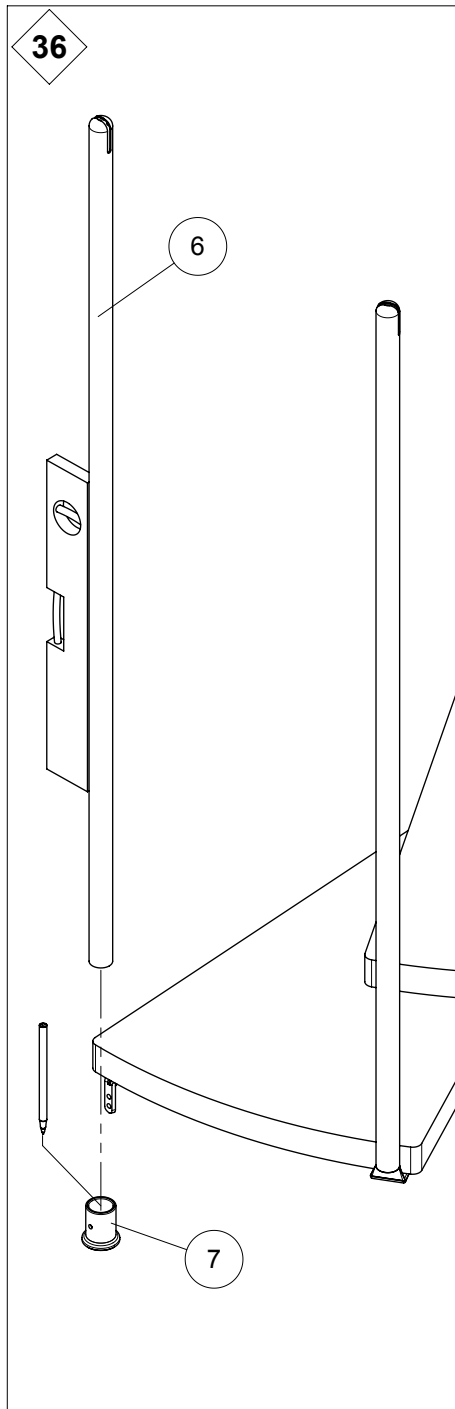
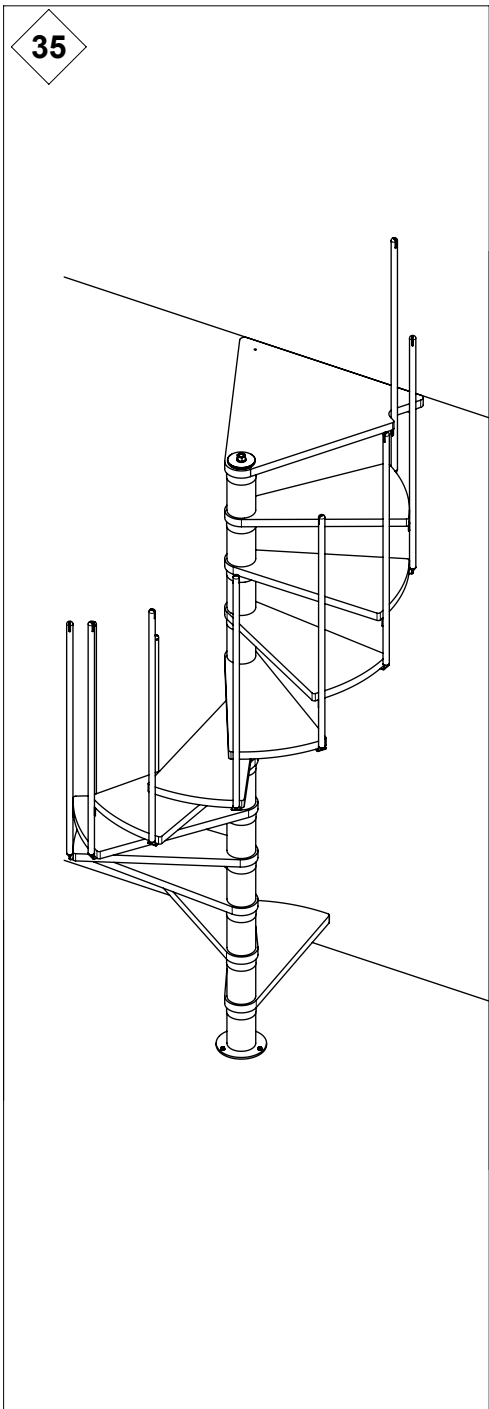
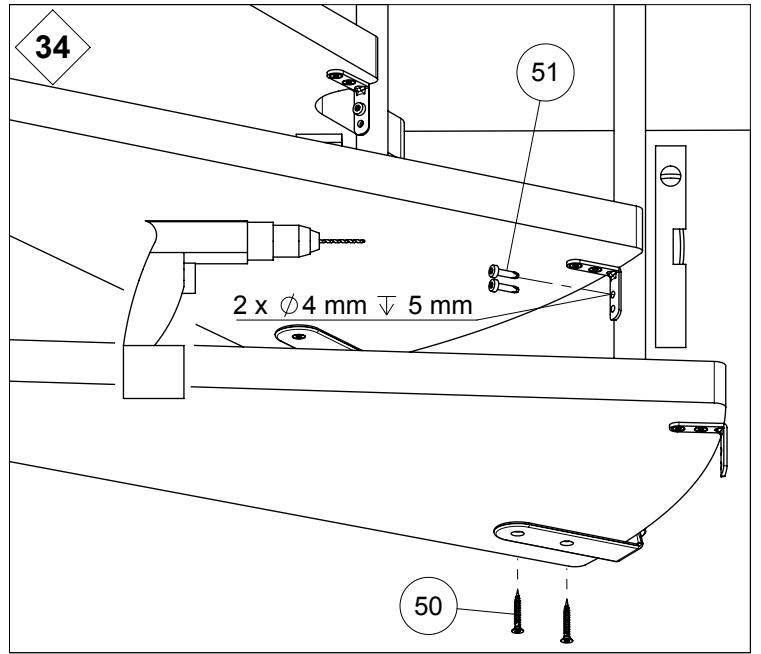
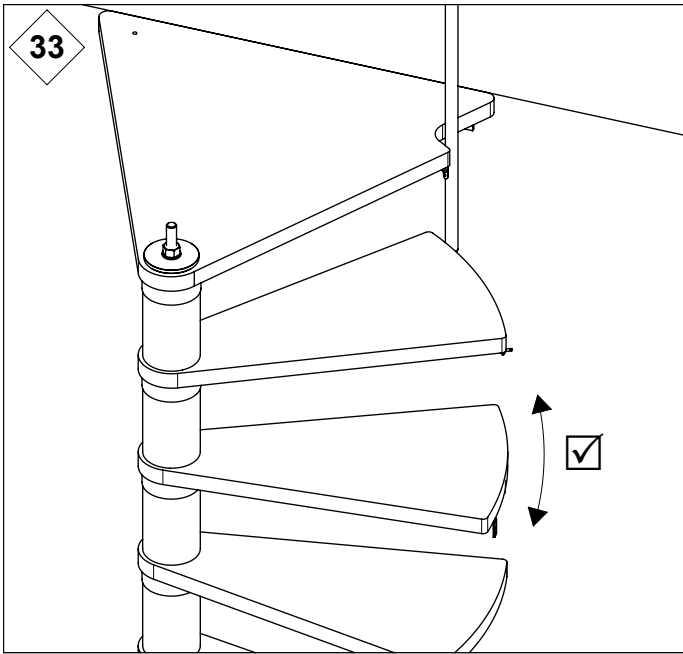
26b

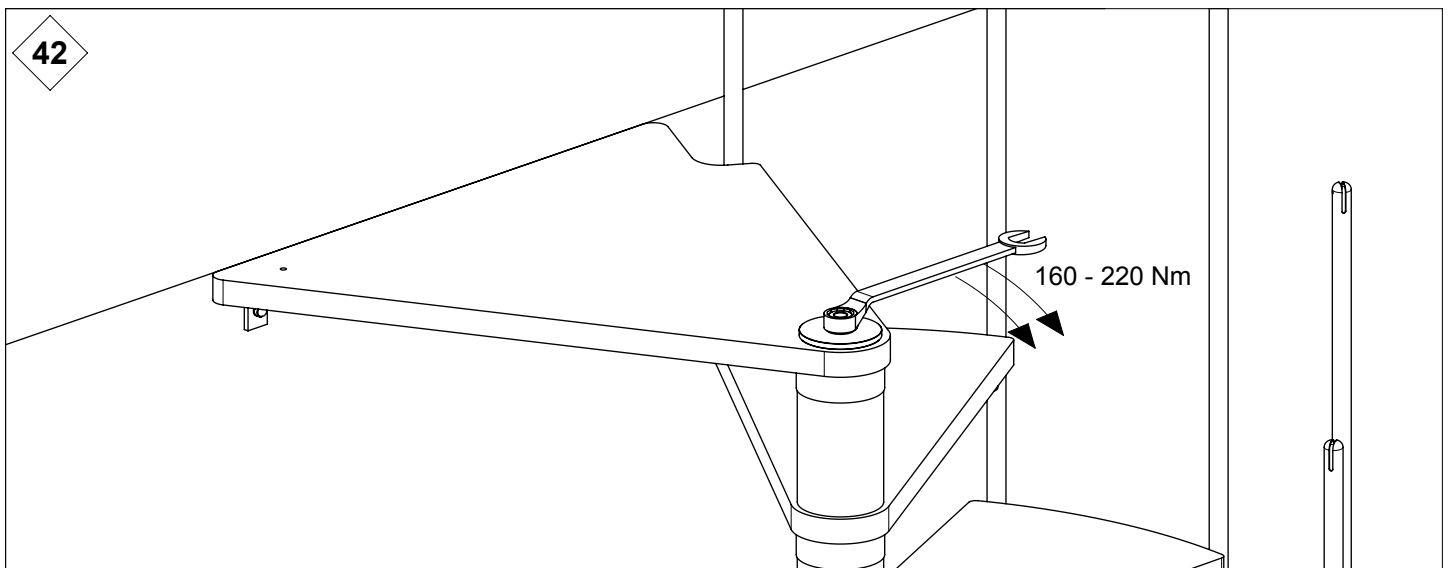
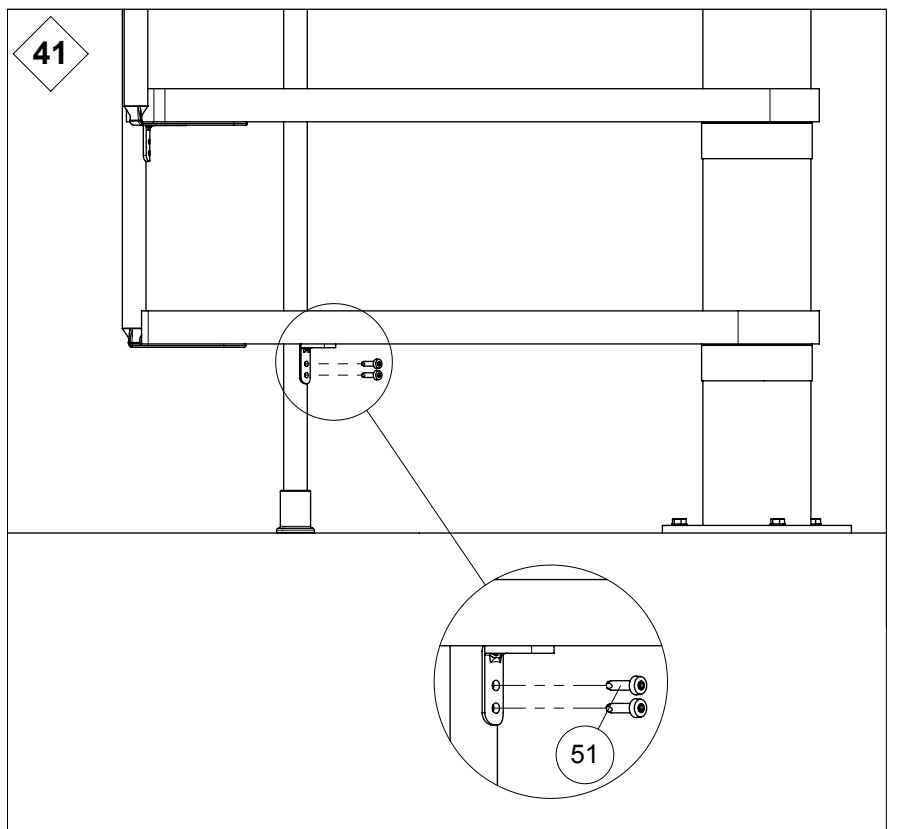
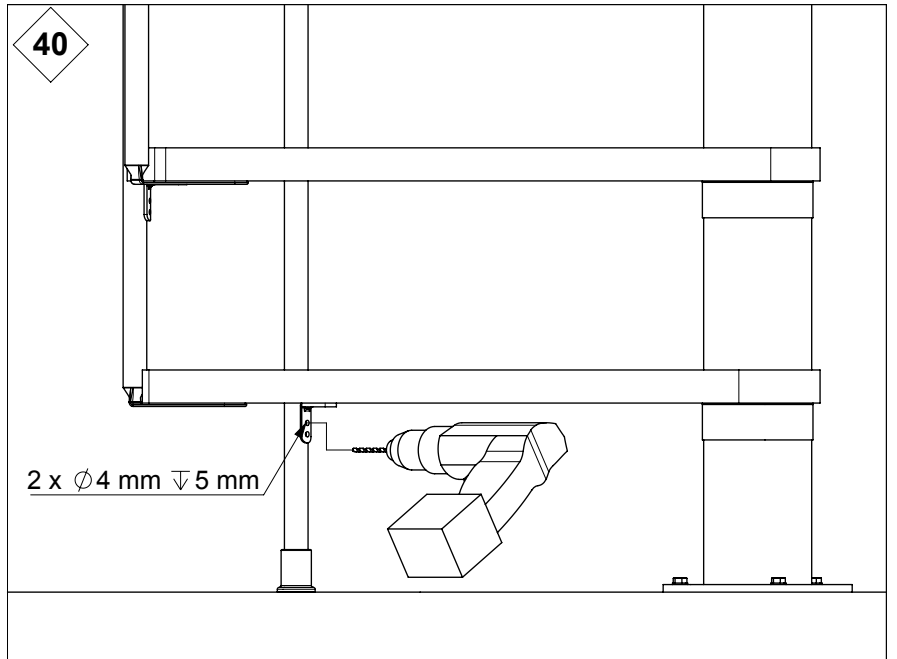
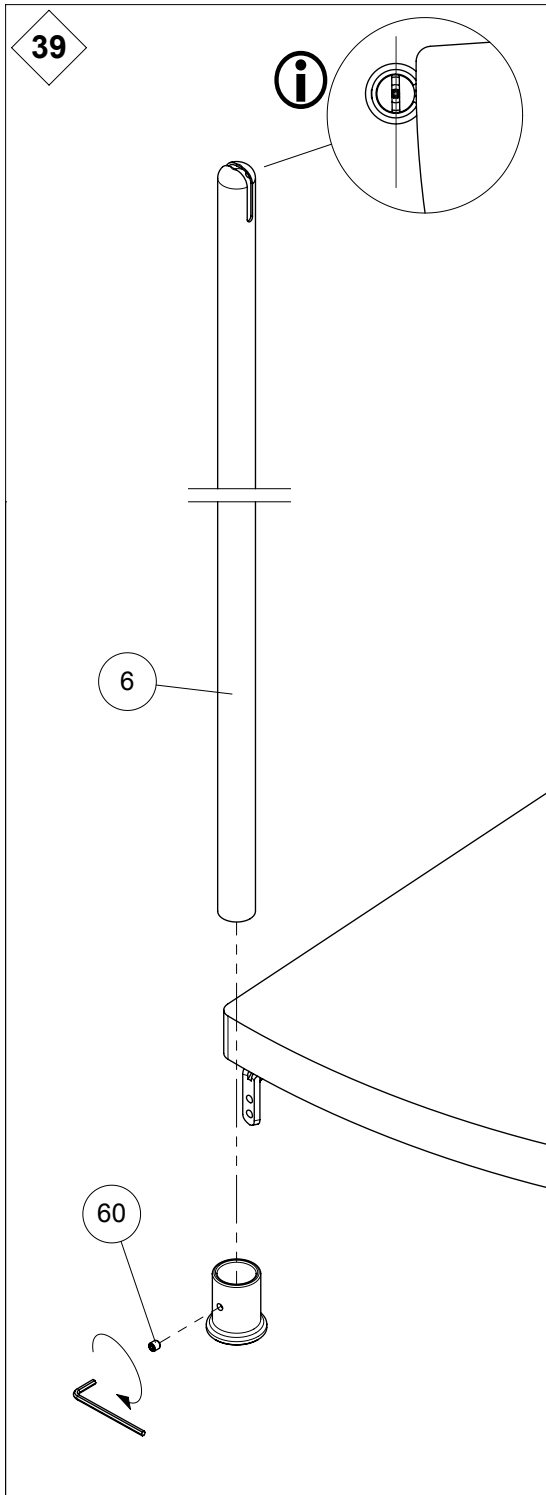


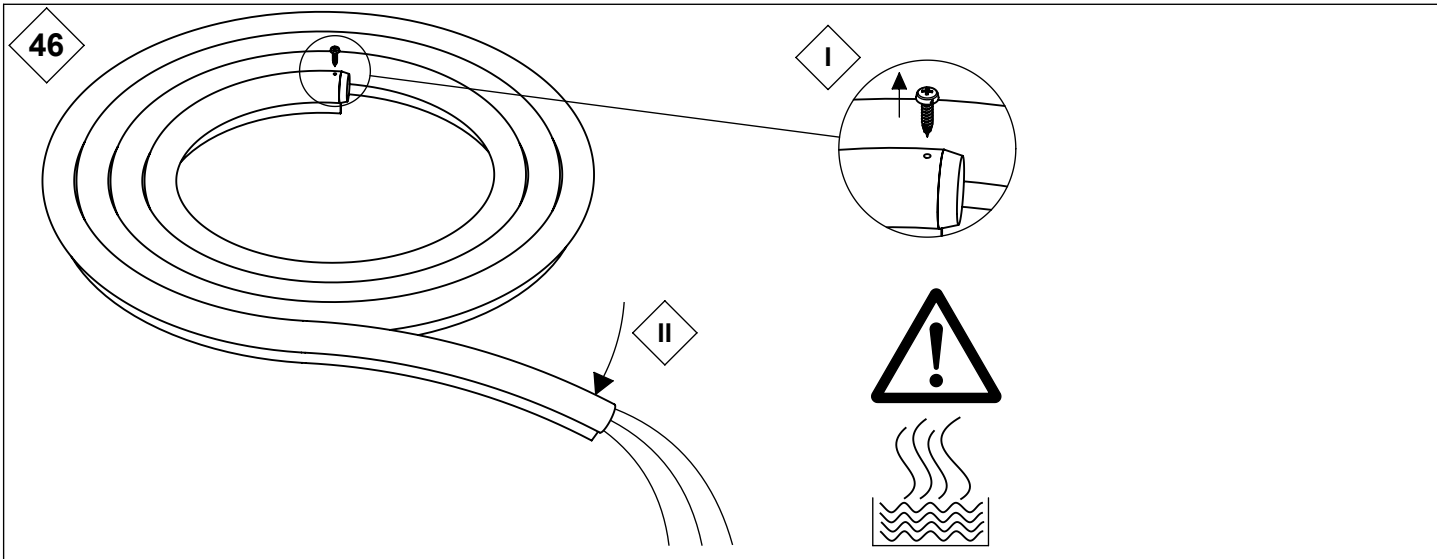
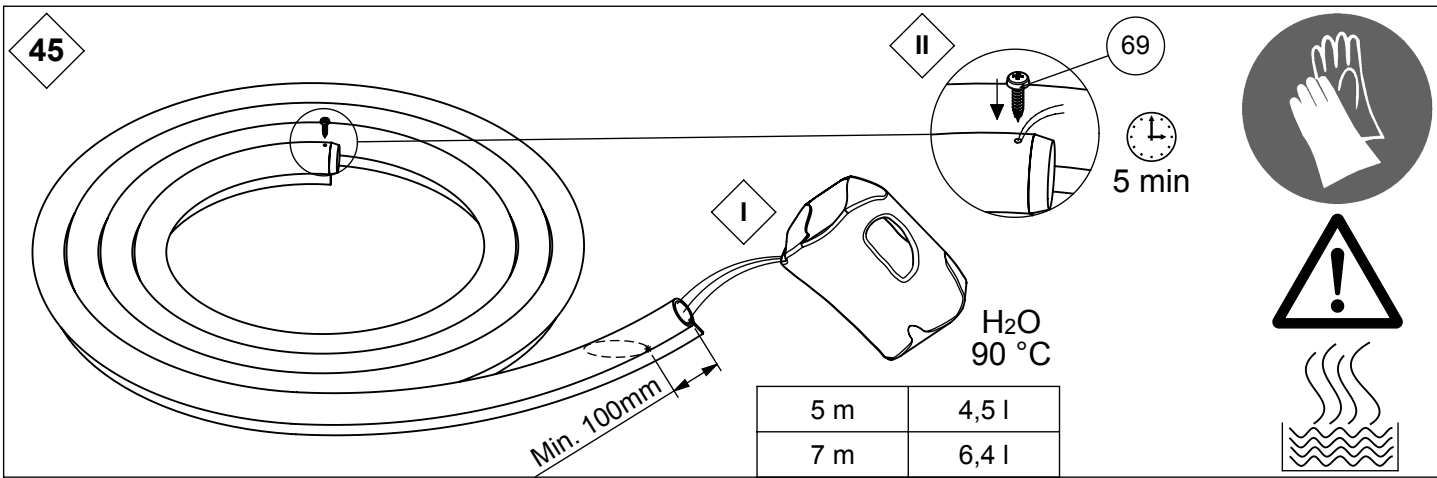
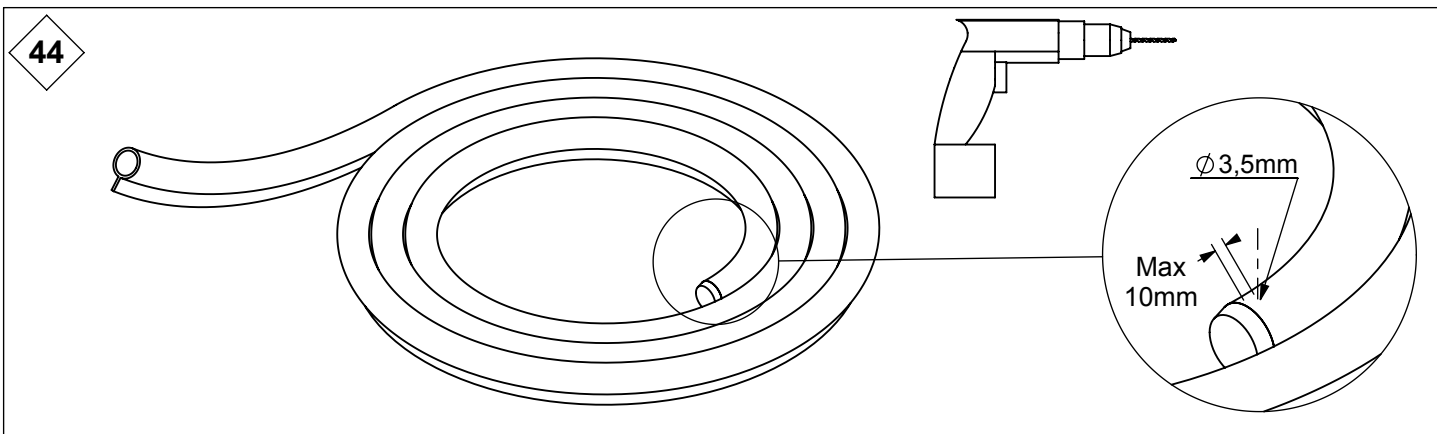
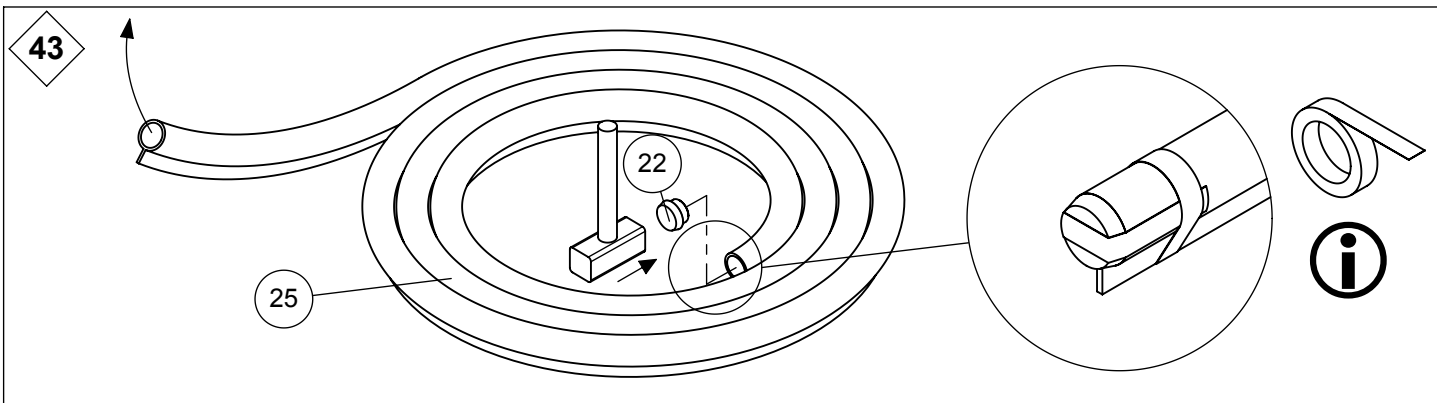
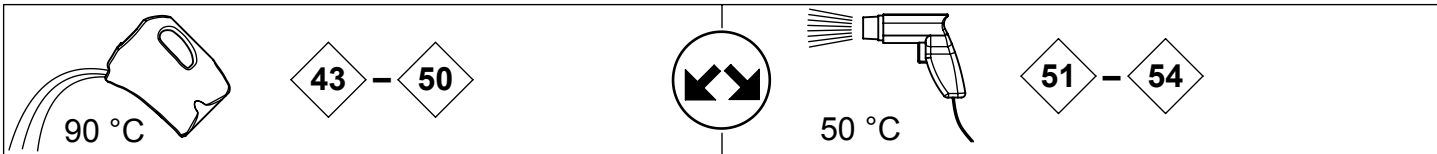


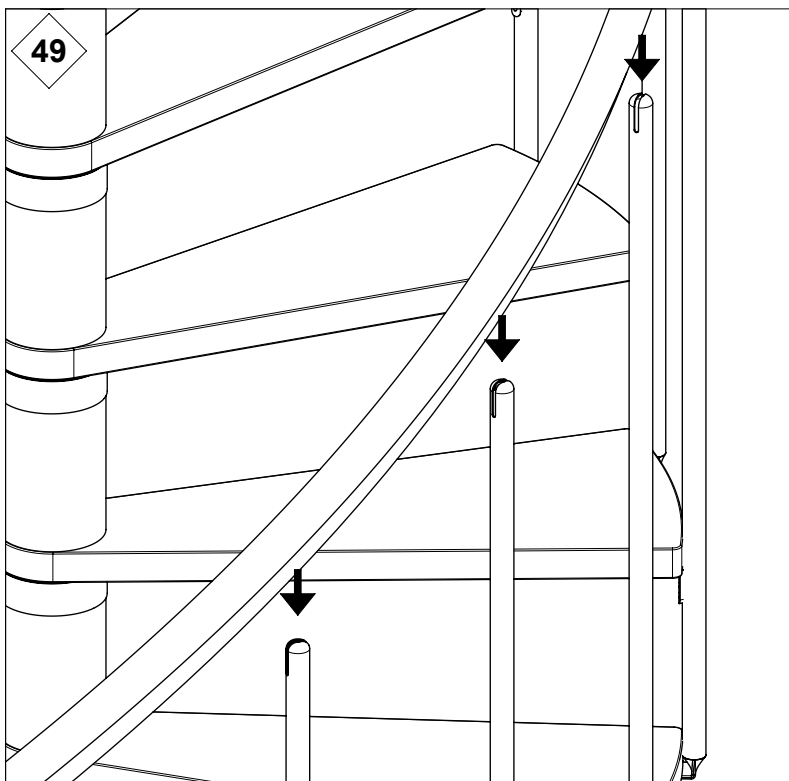
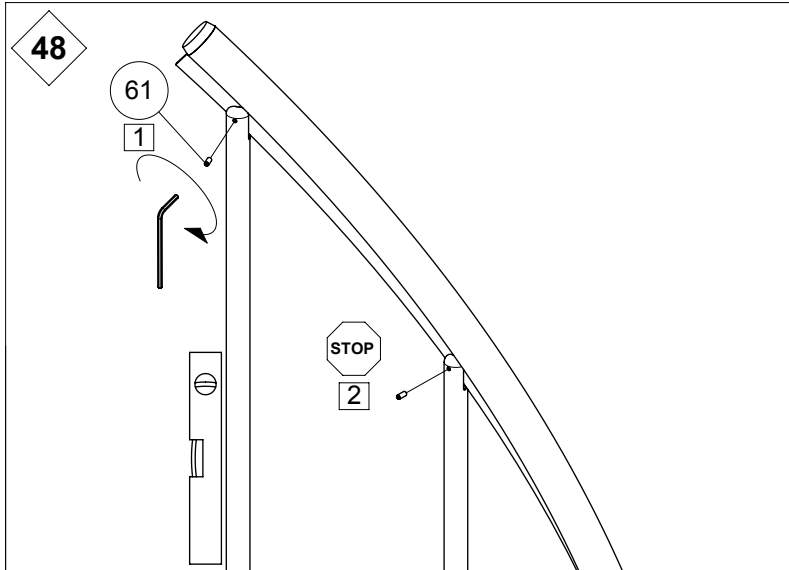
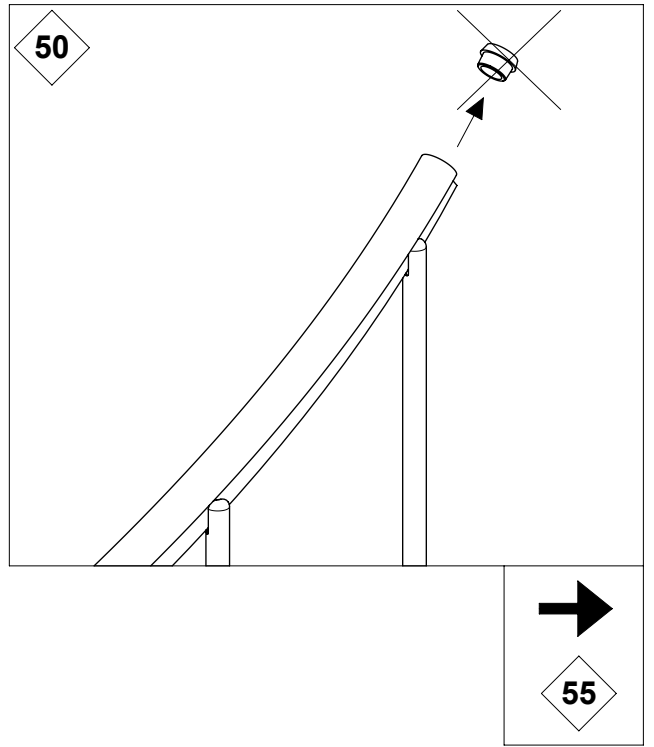
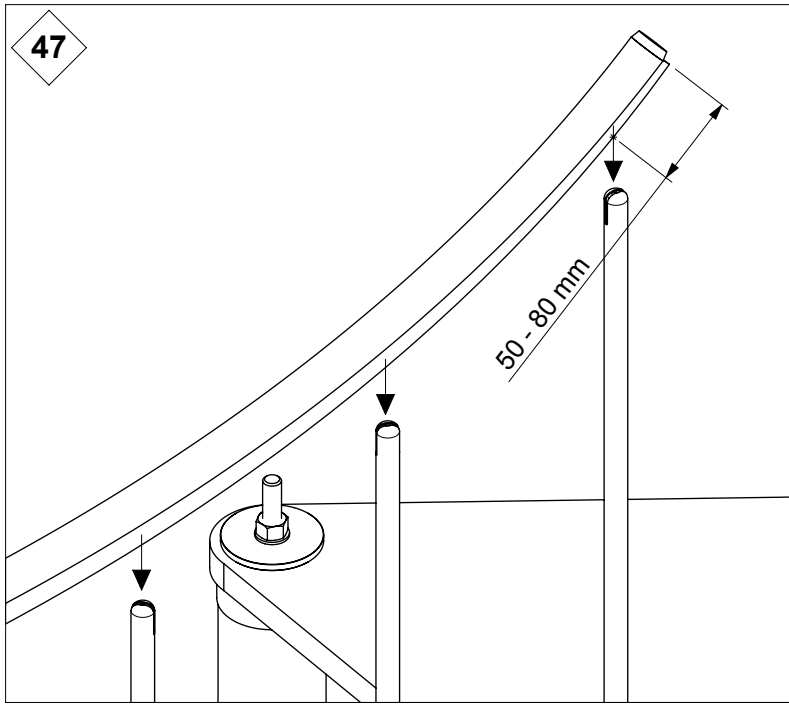




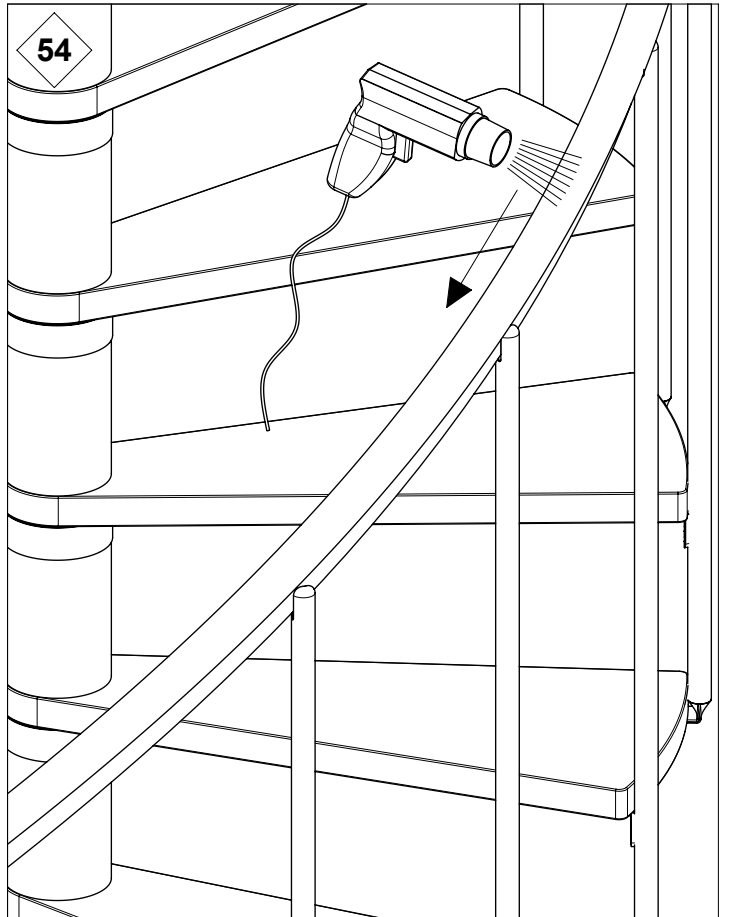
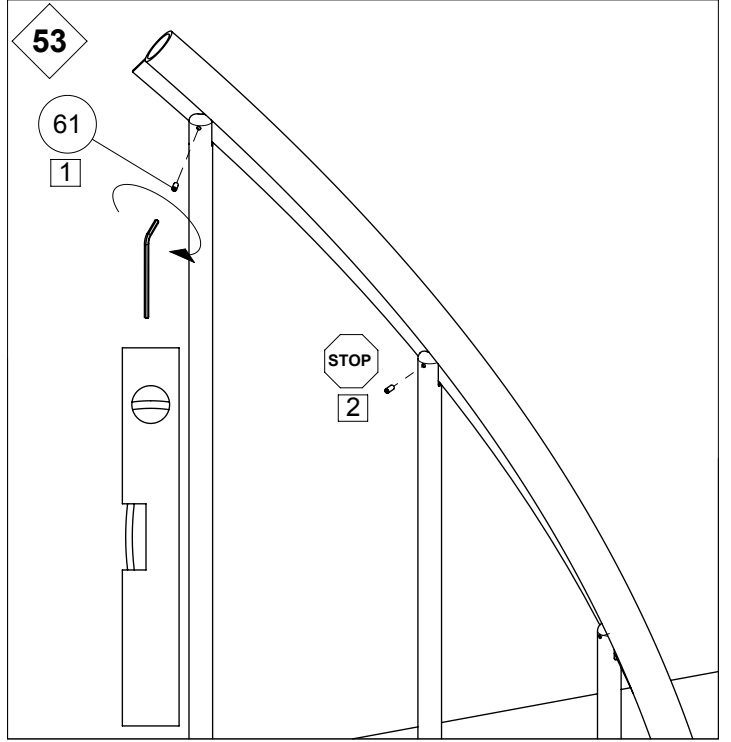
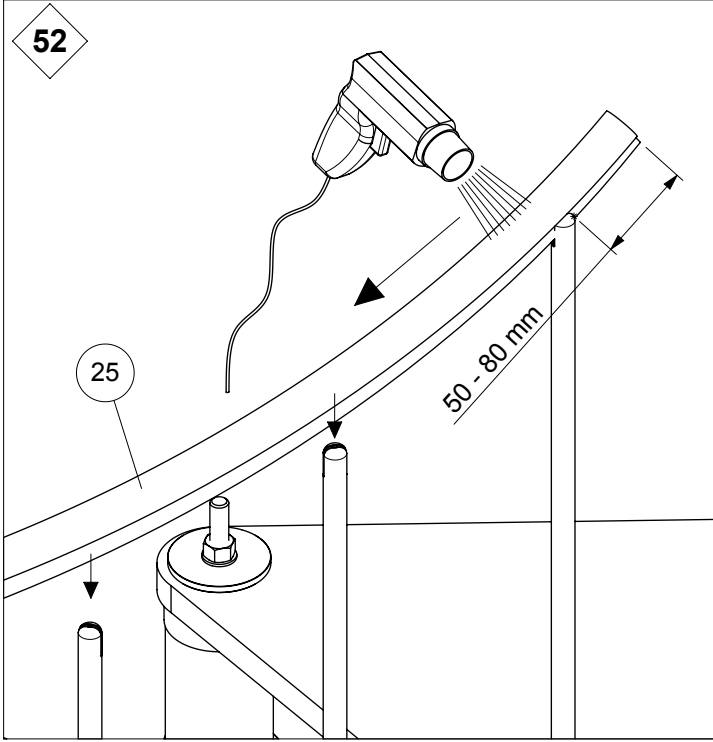
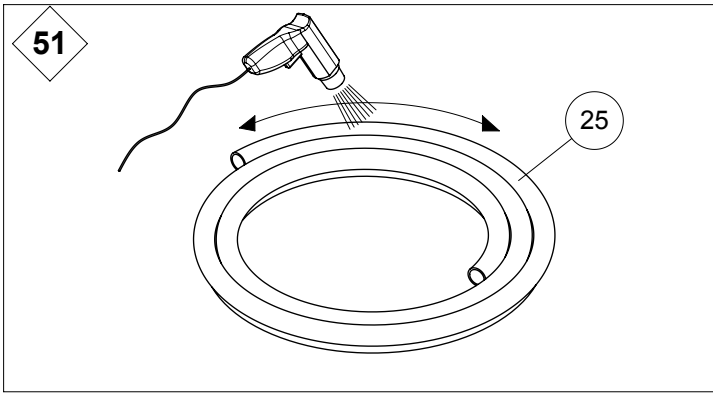


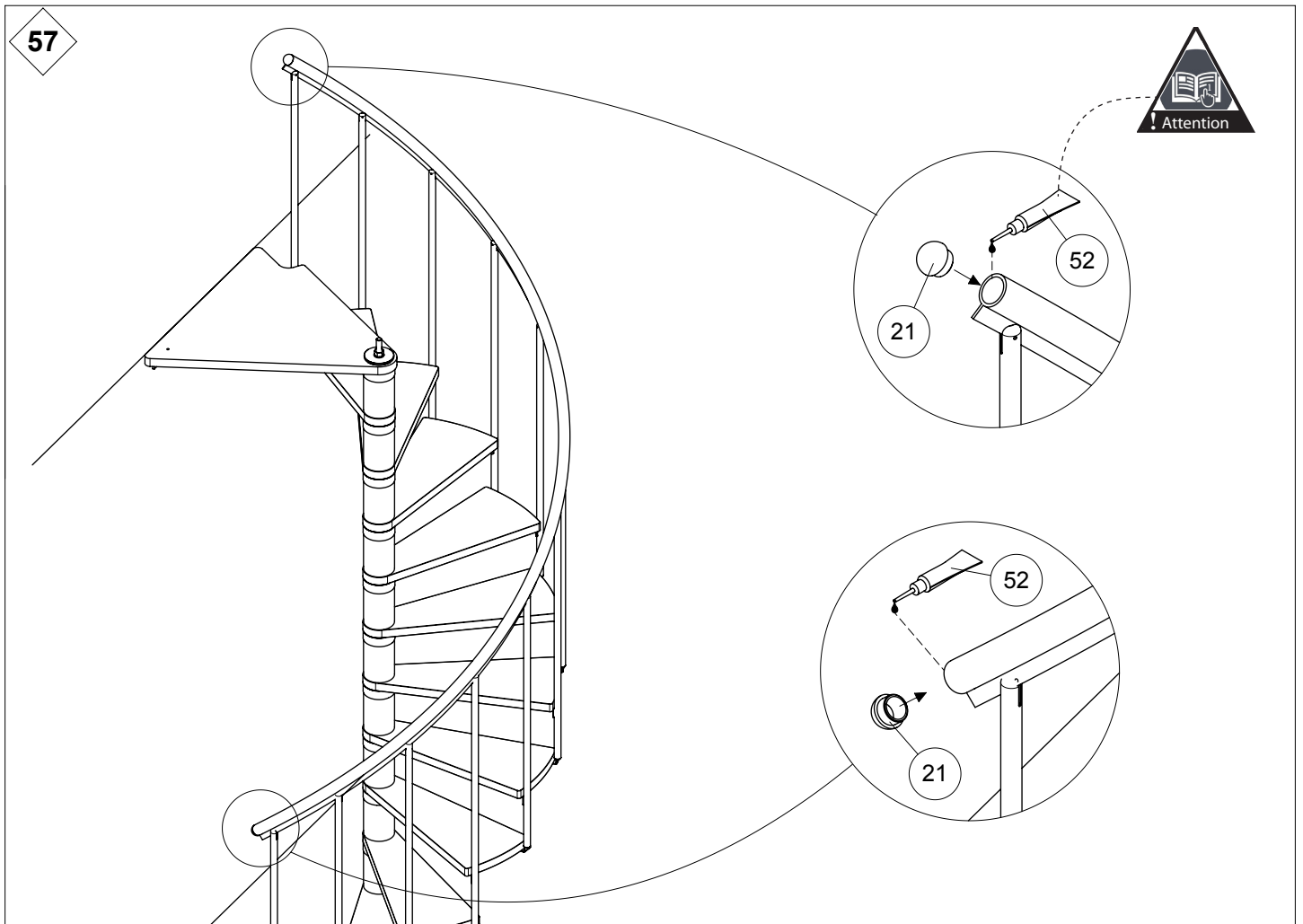
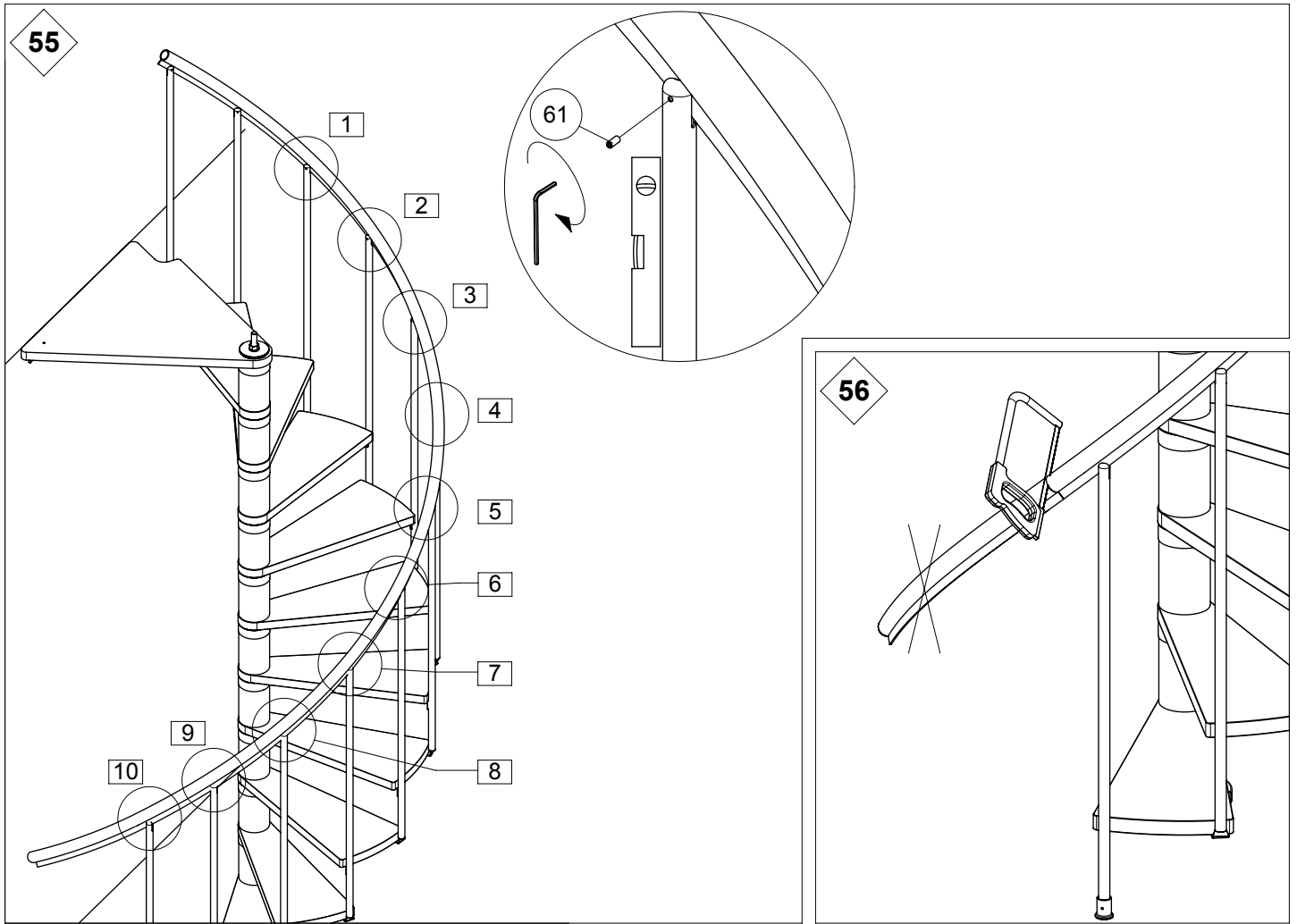


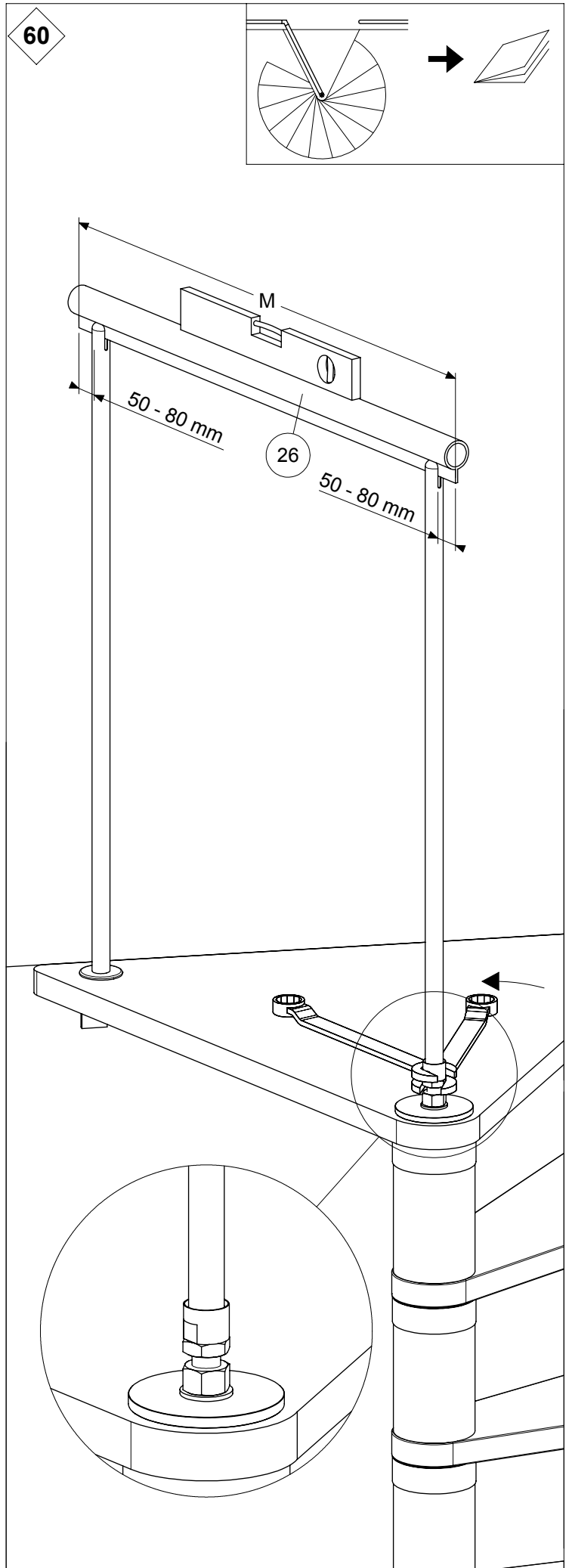
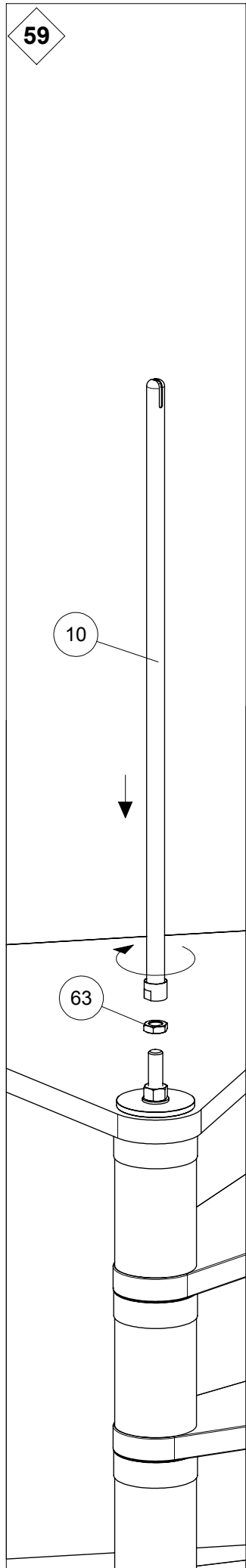
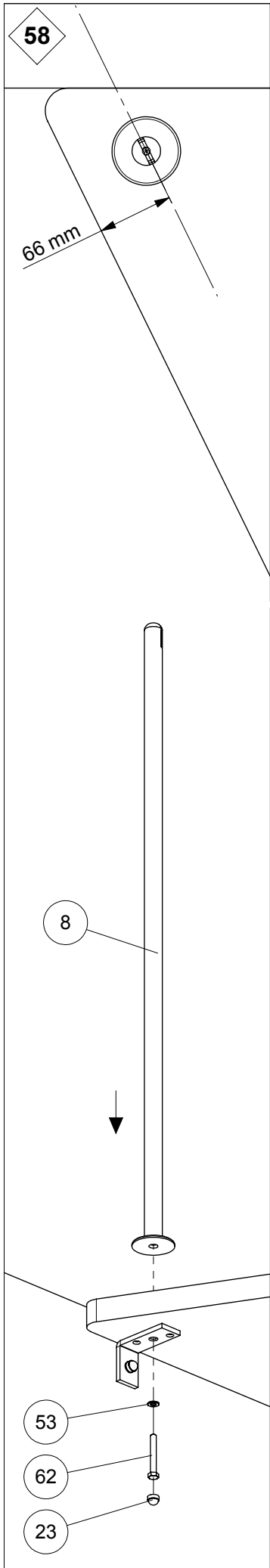




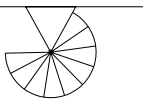




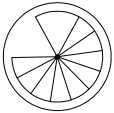
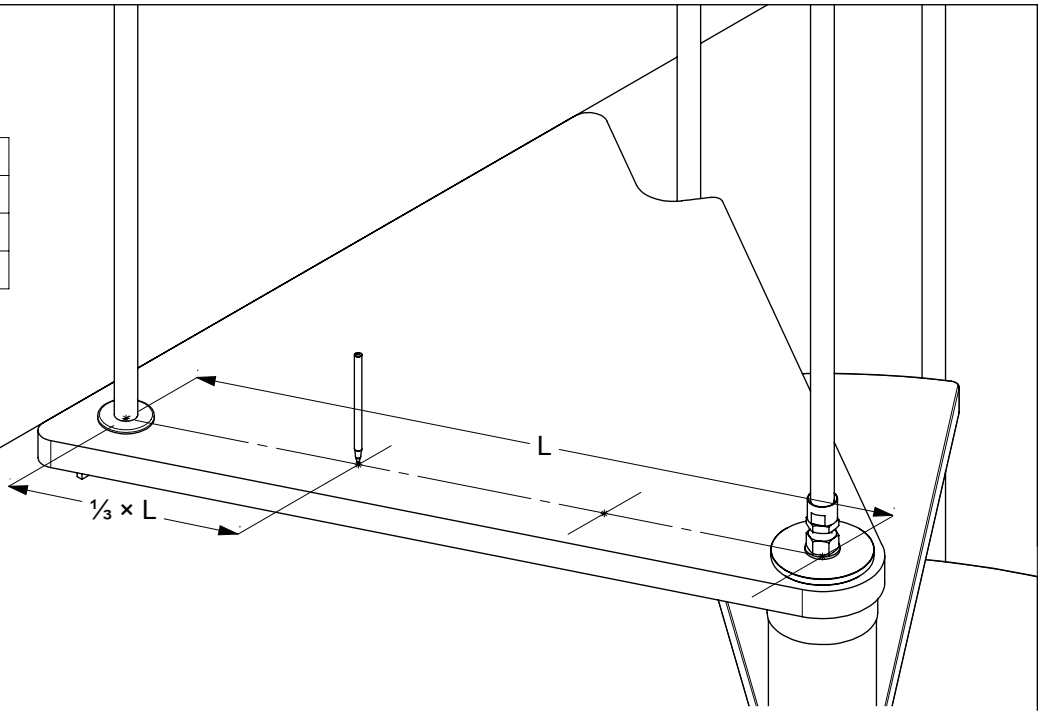




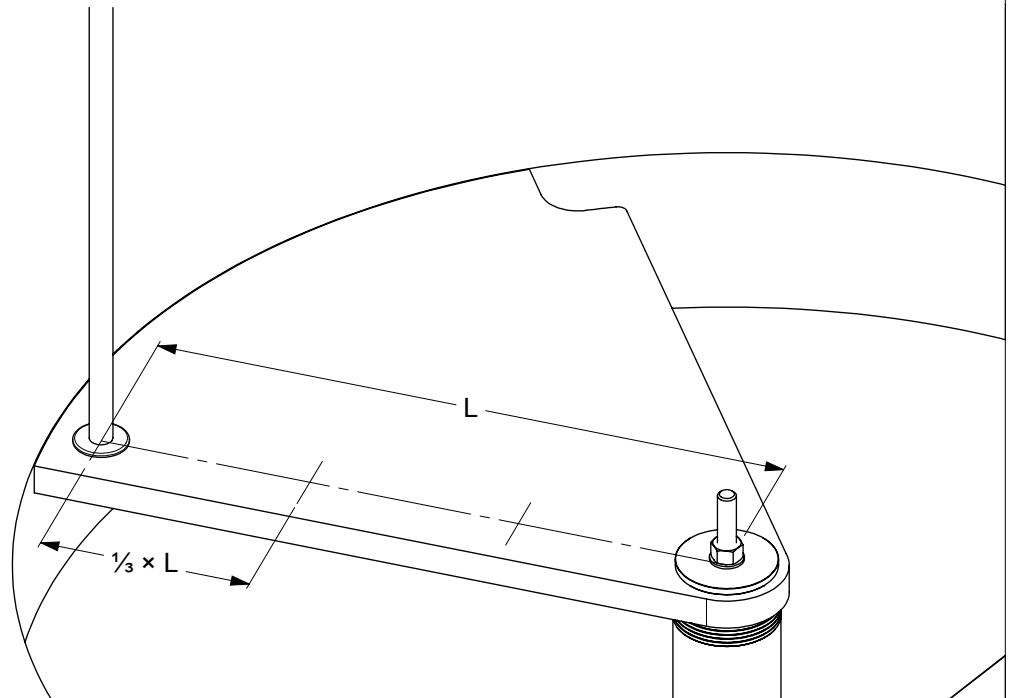
61



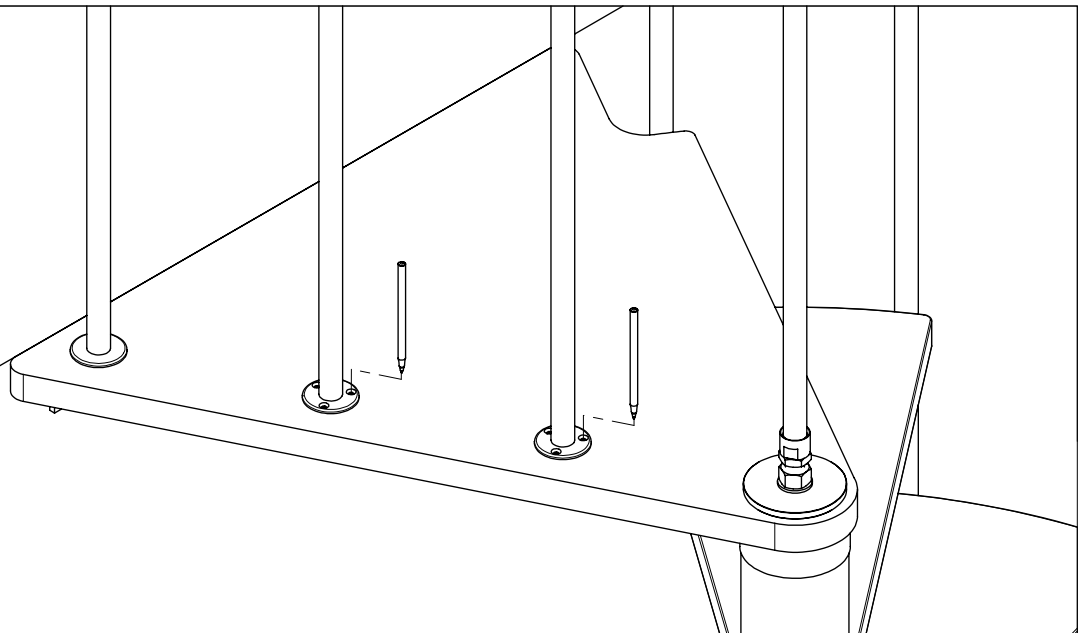
	L	$\frac{1}{3} \times L$
$\phi$ 120 cm	660 mm	220 mm
$\phi$ 140 cm	780 mm	260 mm
$\phi$ 160 cm	900 mm	300 mm

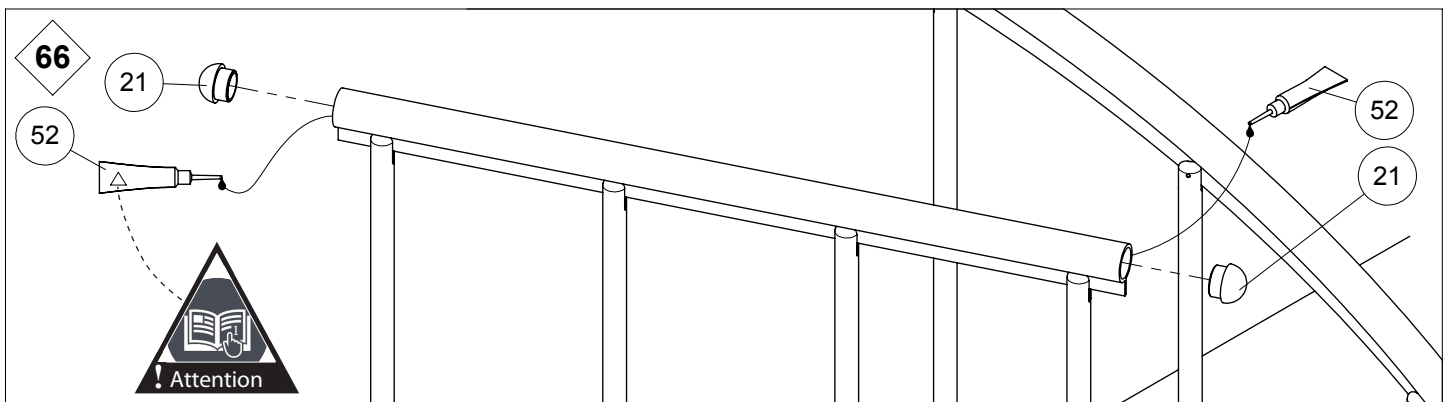
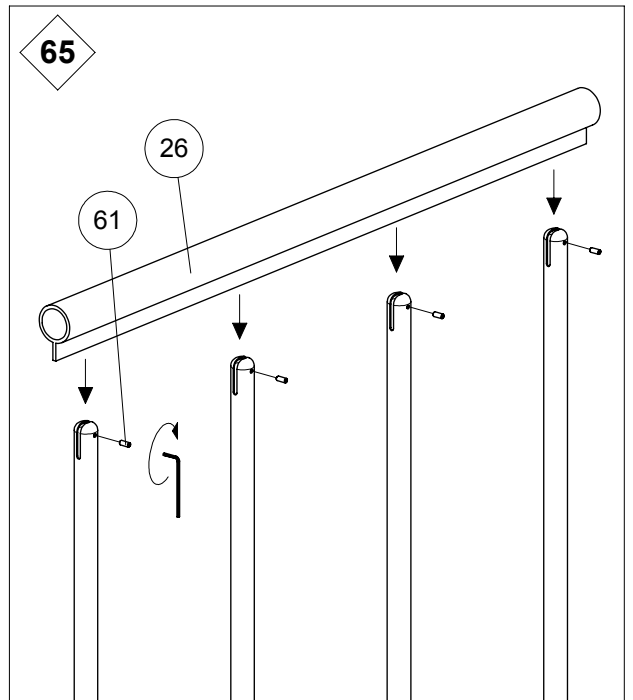
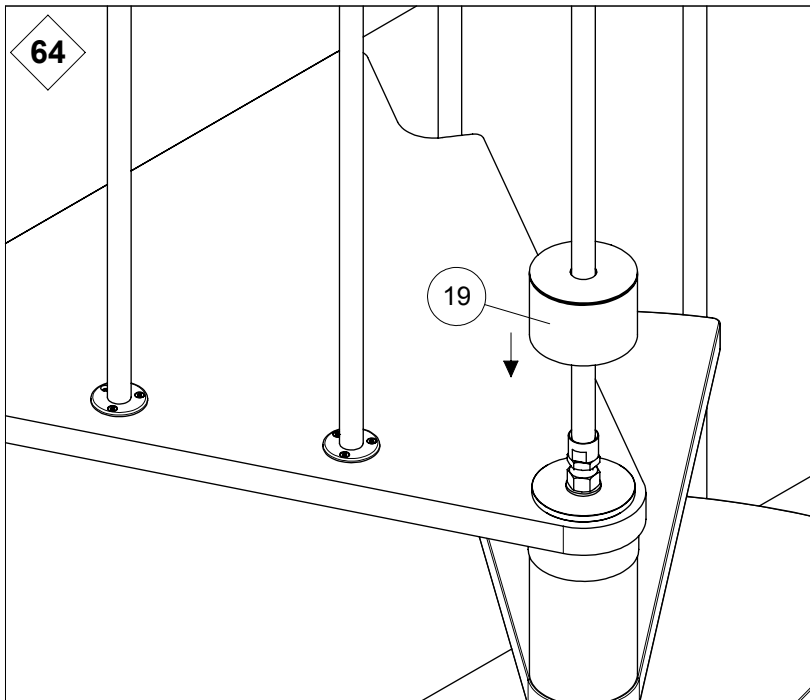
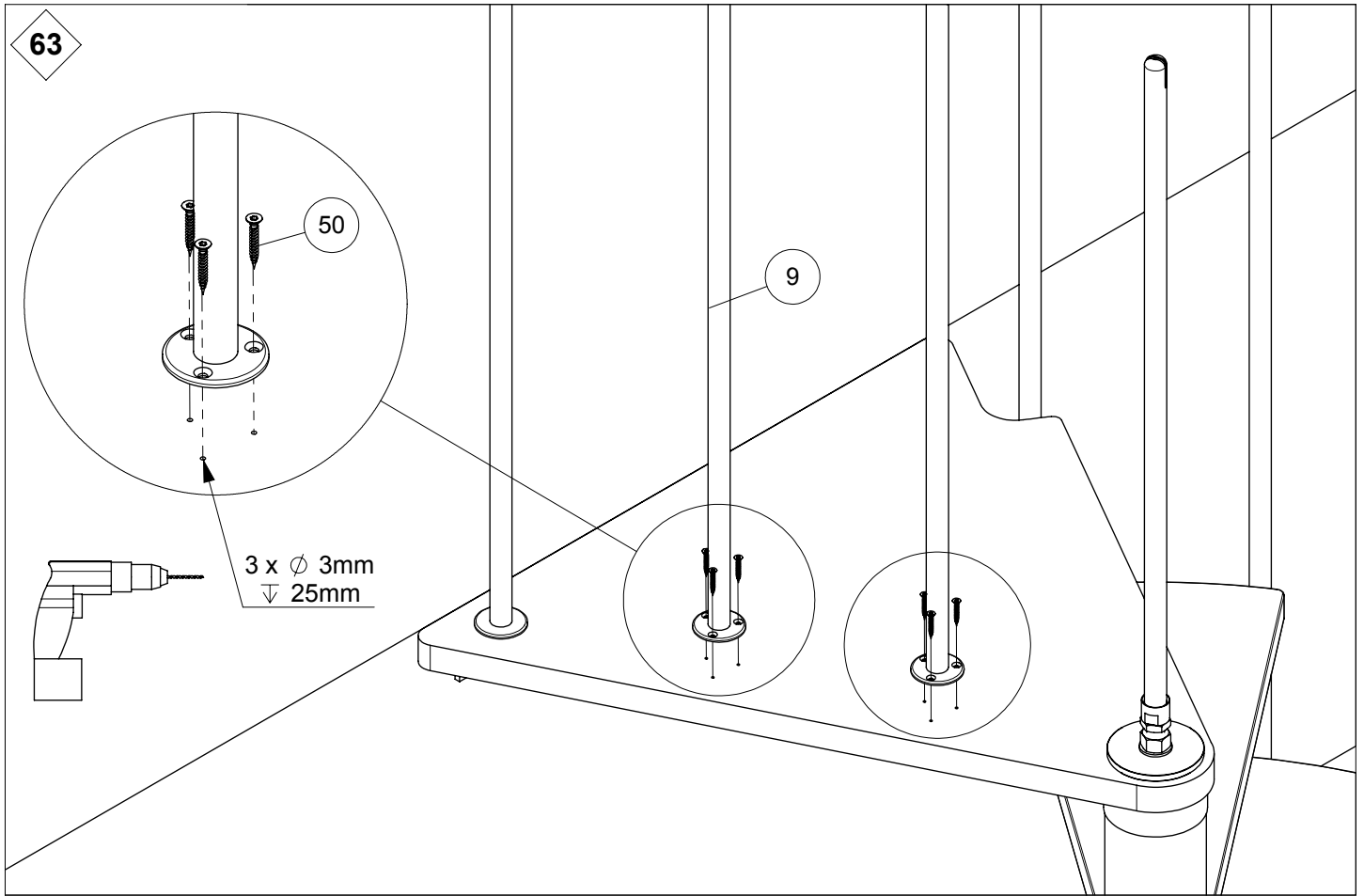


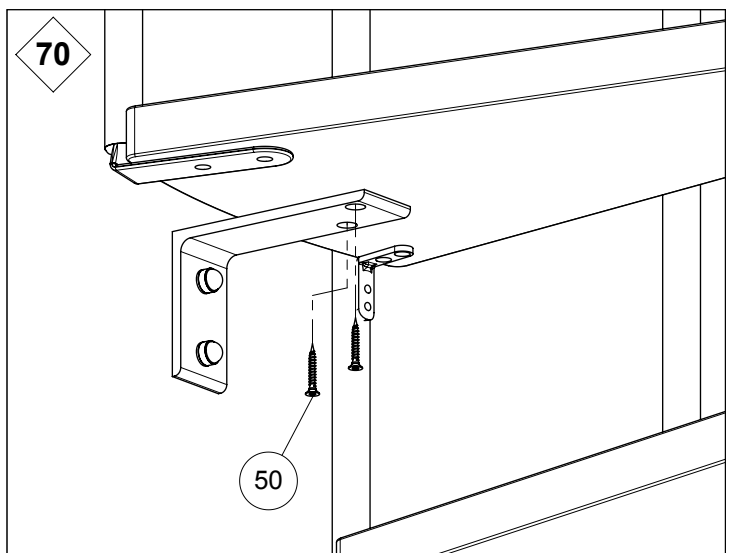
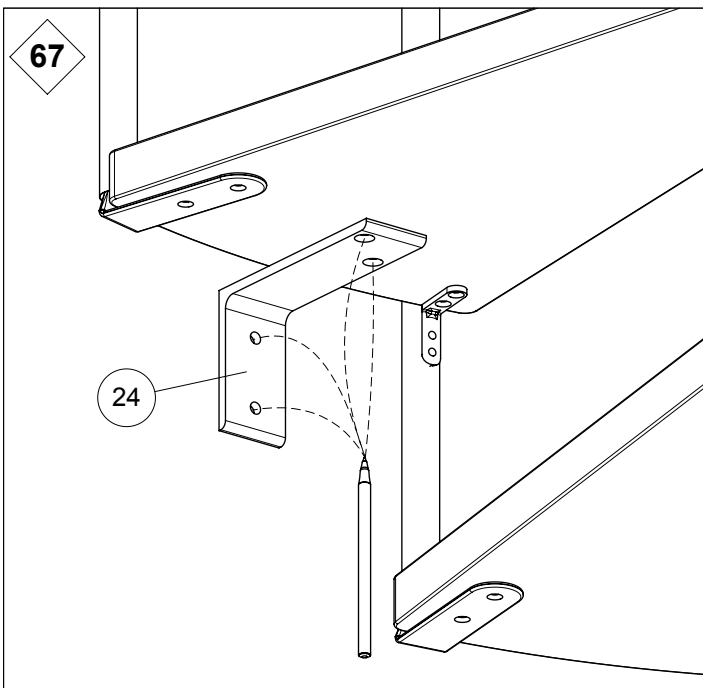
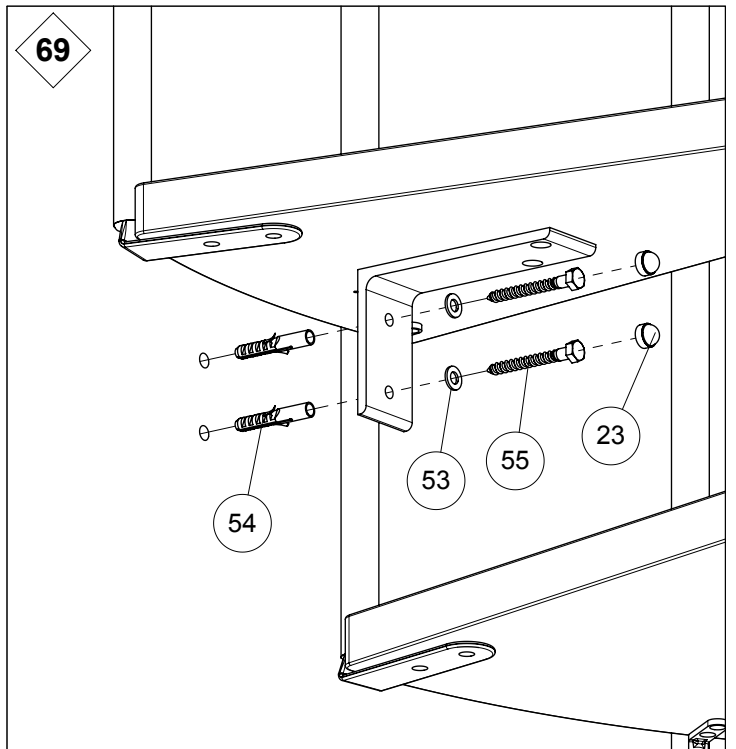
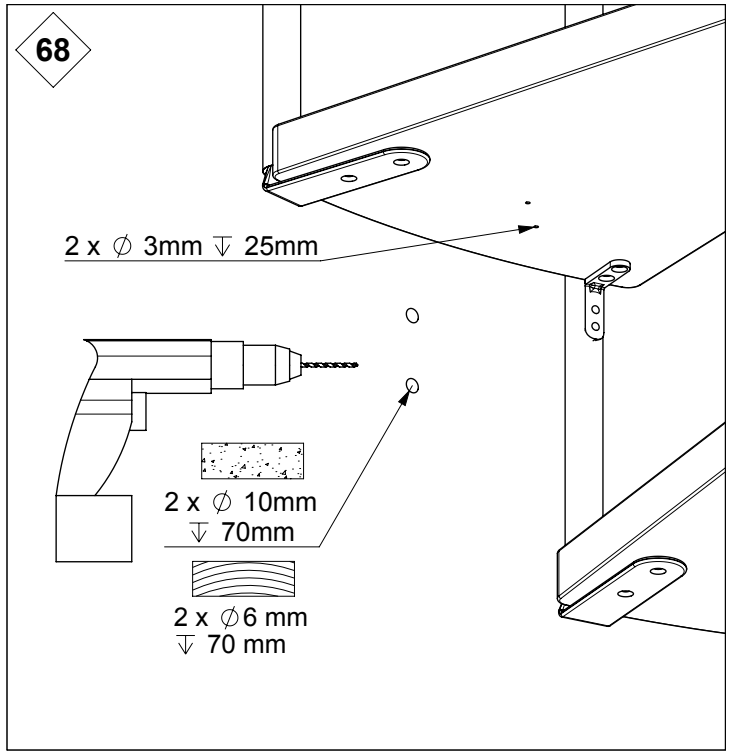
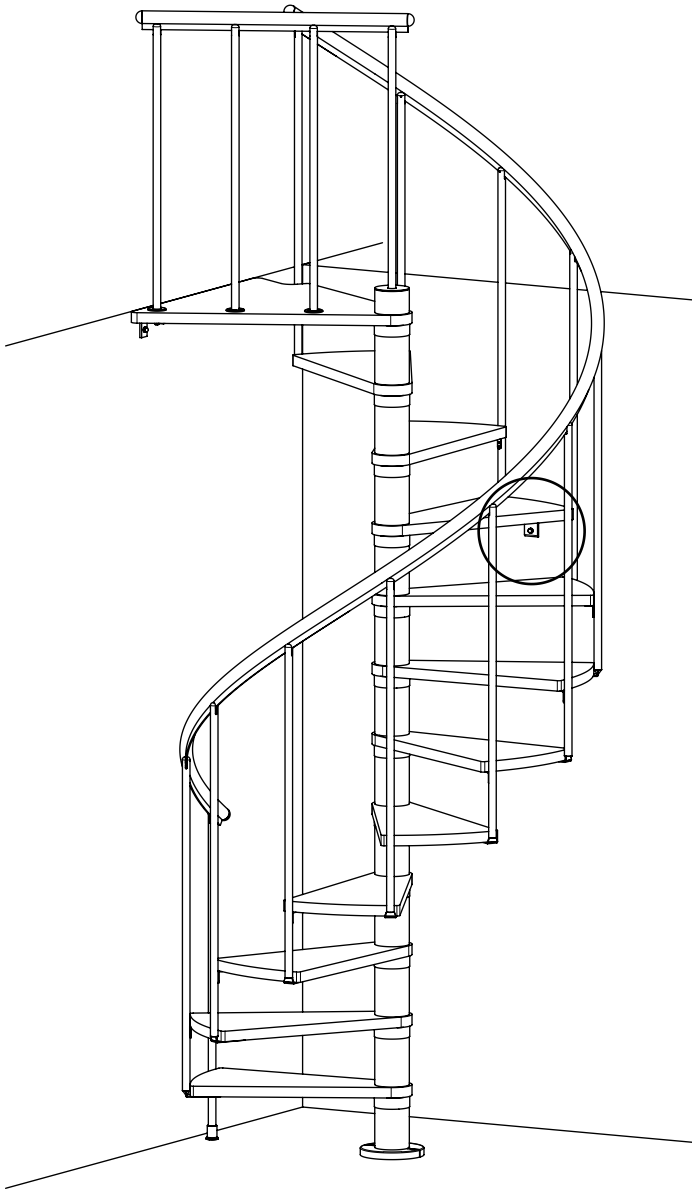
	L	$\frac{1}{3} \times L$
$\phi$ 120 cm	600 mm	200 mm
$\phi$ 140 cm	700 mm	233 mm
$\phi$ 160 cm	800 mm	267 mm



62







71

